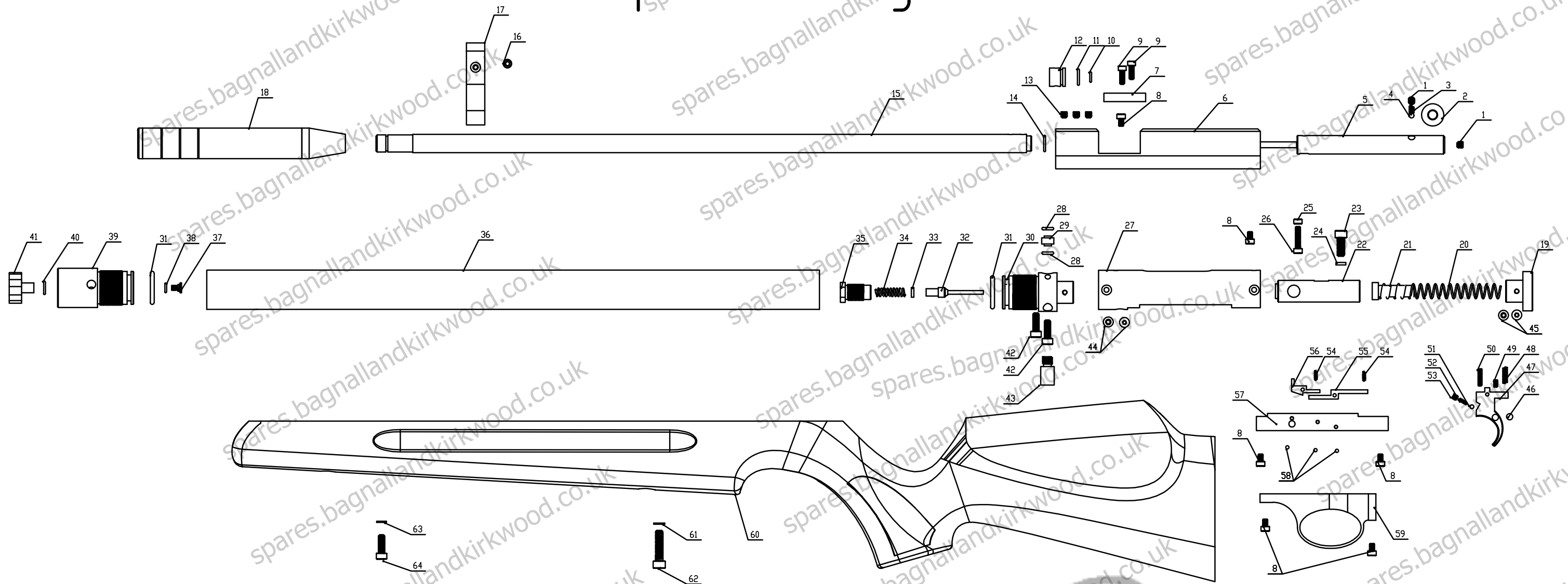


Exploded Diagram



REV.A 8/14

NO.	零件名称	Part Name	Qty.	NO.	零件名称	Part Name	Qty.	NO.	零件名称	Part Name	Qty.	NO.	零件名称	Part Name	Qty.
1	拉手固定螺丝	Bolt Screw	2	17	八字环	Barrel Reservoir Mount	1	33	弹簧衬套	Exhaust Valve Spring Bushing	1	49	扳机螺丝	Trigger Screw	1
2	拉手	Bolt	1	18	消音器组件	Suppresser Assembly	1	34	出气阀弹簧	Exhaust Valve Spring	1	50	阻铁杆螺丝	Sear Bracket Screw	1
3	推杆定位簧	Breech Probe Detent Spring	1	19	顶套	Piston Shroud Cover	1	35	出气阀螺套	Exhaust Valve Screw Nut	1	51	保险钢珠	Safety Detent Ball	1
4	M4钢珠	M4 Detent Ball	1	20	活塞簧	Piston Spring	1	36	储气管	Air Reservoir	1	52	保险簧	Safety Spring	1
5	推杆	Breech Probe	1	21	重锤	Hammer	1	37	进气阀螺丝	Intake Valve Screw	1	53	保险螺丝	Safety Screw	1
6	顶座	Breech	1	22	活塞	Piston	1	38	进气阀O型圈	Intake Valve O-Ring	1	54	扳机簧1	Trigger Spring A	3
7	镶块	Breech Insert Block	1	23	活塞螺丝	Piston Screw	1	39	进气阀	Intake Valve	1	55	杠杆	Sear Bracket	1
8	结合螺丝	Breech Upper Screw	6	24	M6衬套	Piston Screw Bushing	1	40	压力表O型圈	Pressure Gauge O-Ring	1	56	阻铁	Sear	1
9	镶块螺丝	Breech Insert Block Screw	2	25	M4衬套	Breech Probe Screw Bushing	1	41	压力表	Pressure Gauge	1	57	扳机座	Trigger Base	1
10	顶座O型圈	Breech O-Ring	1	26	推杆螺丝	Breech Probe Screw	1	42	储气管顶座结合螺丝	Breech Lower Screw	2	58	扳机销	Trigger Pin	3
11	进弹套O型圈	Loading Port Brass Sleeve O-Ring	1	27	底座	Piston Shroud	1	43	吊架螺套	Wood Stock Screw Nut	1	59	护圈	Trigger Guard	1
12	进弹套	Loading Port Brass Sleeve	1	28	连接头O型圈	Exhaust Valve Connector O-Ring	2	44	网体固定螺丝	Valve Body Screw	2	60	木托	Wood Stock	1
13	枪管固定螺丝	Barrel Fixing Screw	3	29	连接头	Exhaust Valve Connector	1	45	顶套固定螺丝	Piston Shroud Cover Screw	2	61	外锯齿锁紧垫片	Wood Stock Screw Washer	1
14	枪管O型圈	Barrel O-Ring	1	30	出气阀	Exhaust Valve	1	46	保险	Safety	1	62	吊架螺丝	Wood Stock Screw	1
15	枪管	Barrel	1	31	网体O型圈	Valve Body O-Ring	2	47	扳机	Trigger	1	63	内锯齿锁紧垫片	Mount Lower Screw Washer	1
16	八字环锁紧螺丝	Reservoir Mount Side Screw	1	32	出气阀芯组件	Exhaust Valve Core Assembly	1	48	扳机簧3	Trigger Spring B	1	64	八字环固定螺丝	Reservoir Mount Lower Screw	1