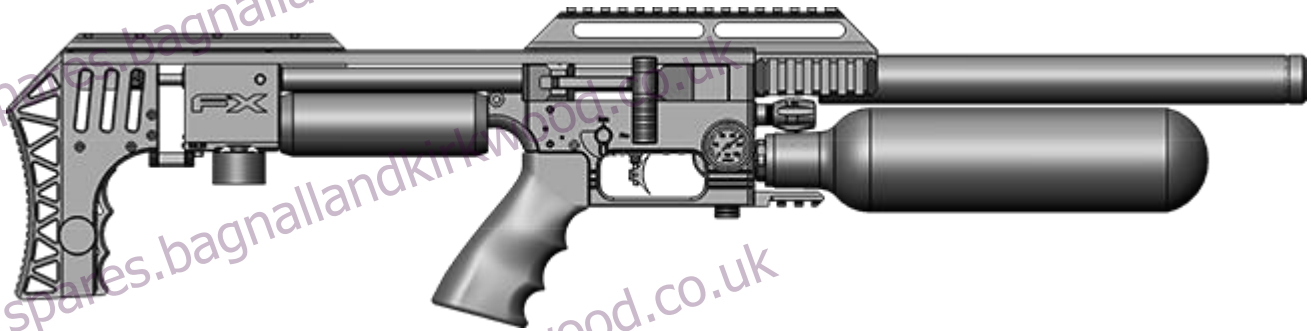
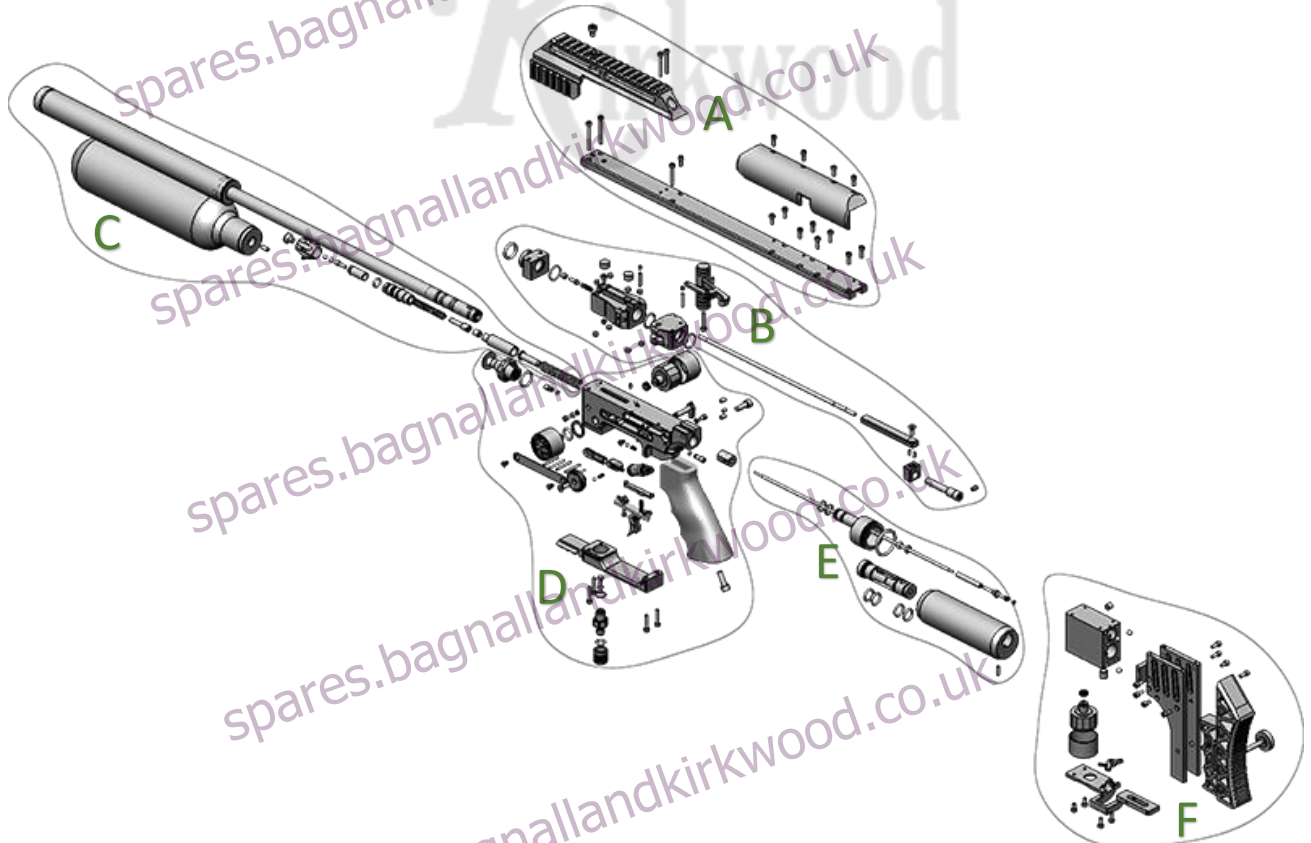


Model	Other model names	Date	Revision	Revision date
FX Impact M3		2021-04-14	EN.21.01	2021-04-19

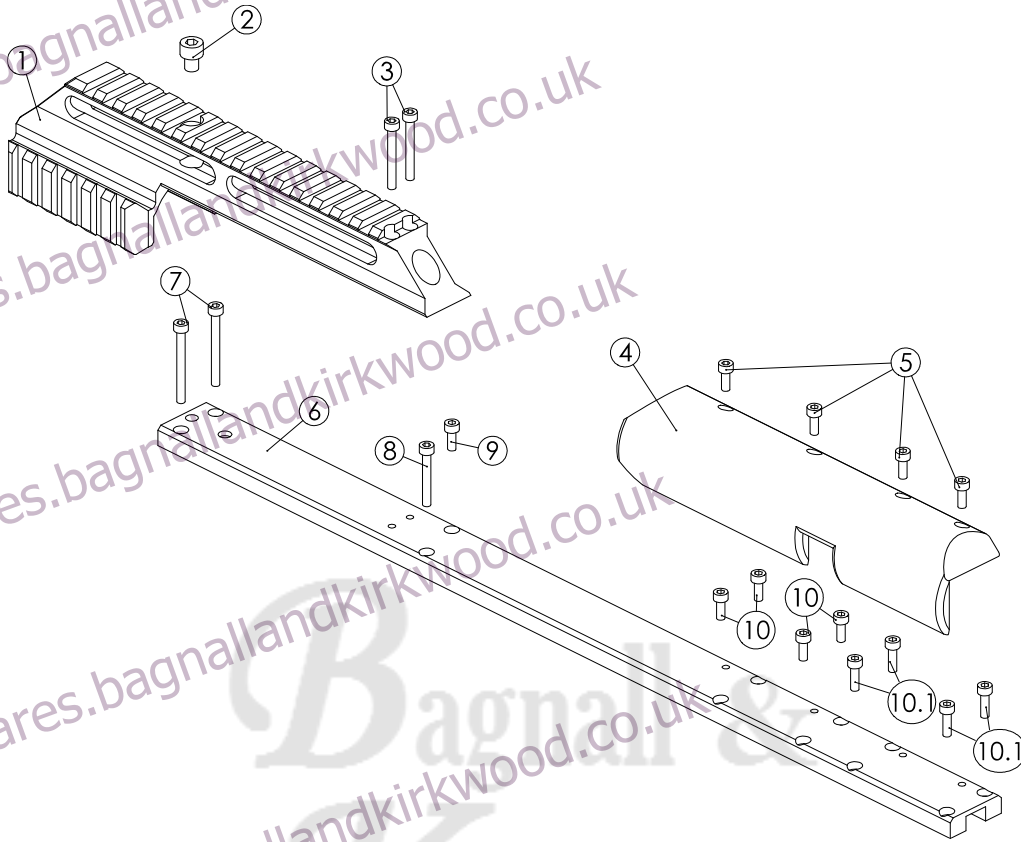


## Impact M3

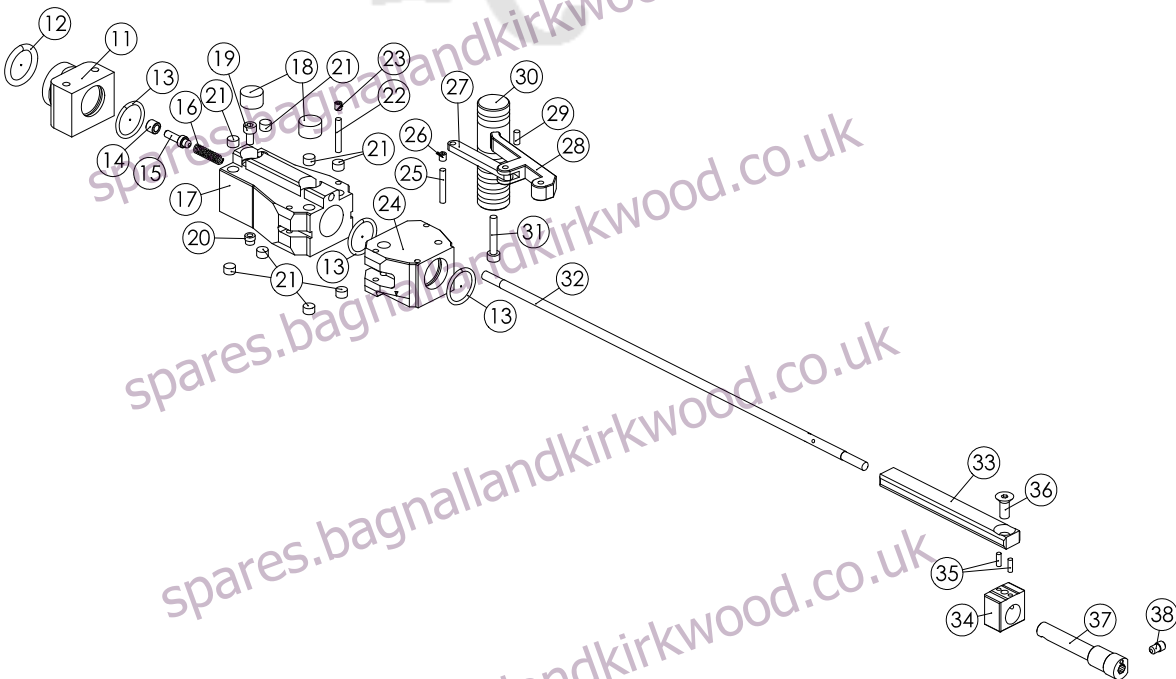


Model	Other model names	Date	Revision	Revision date
FX Impact M3		2021-04-14	EN.21.01	2021-04-19

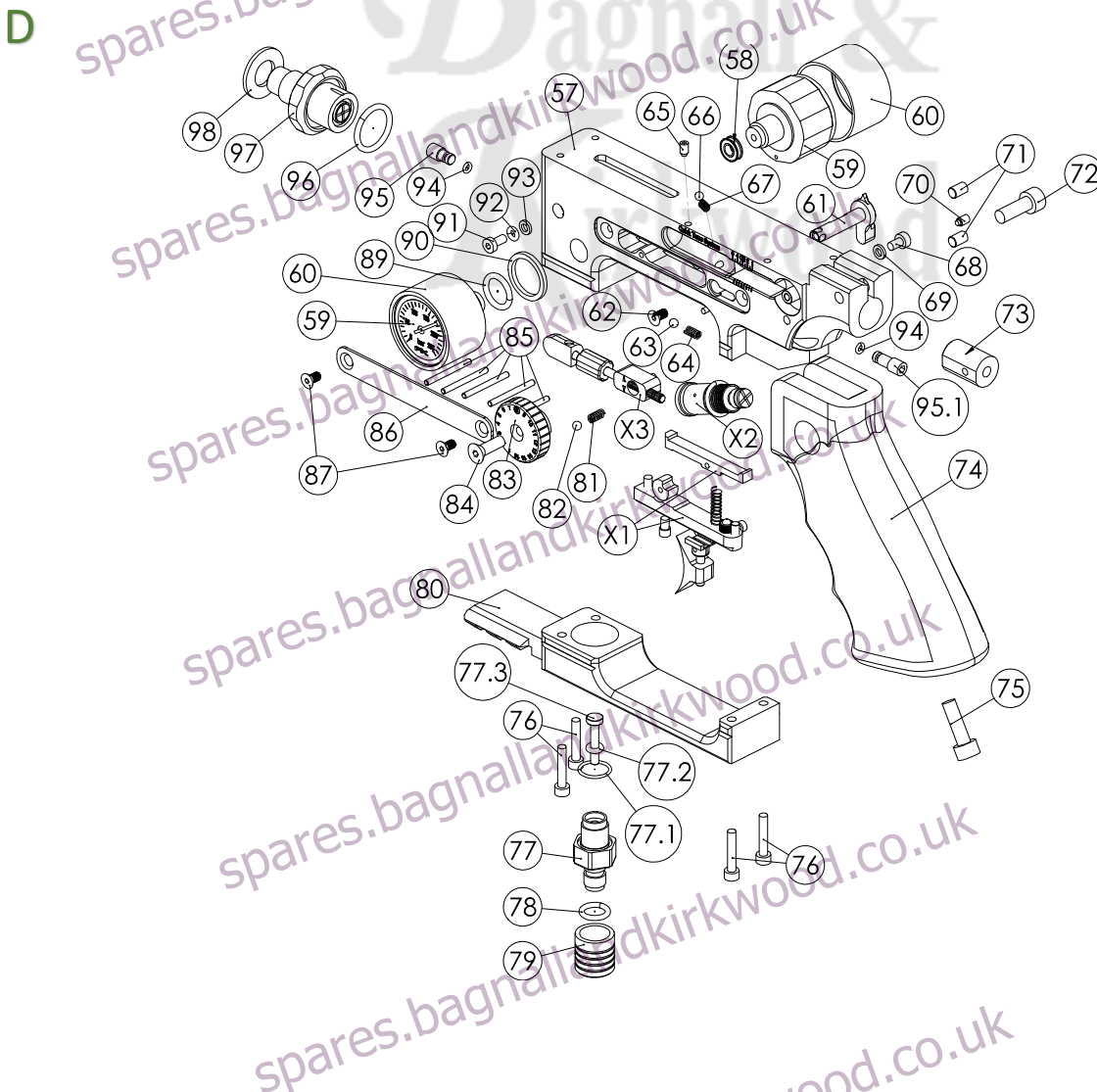
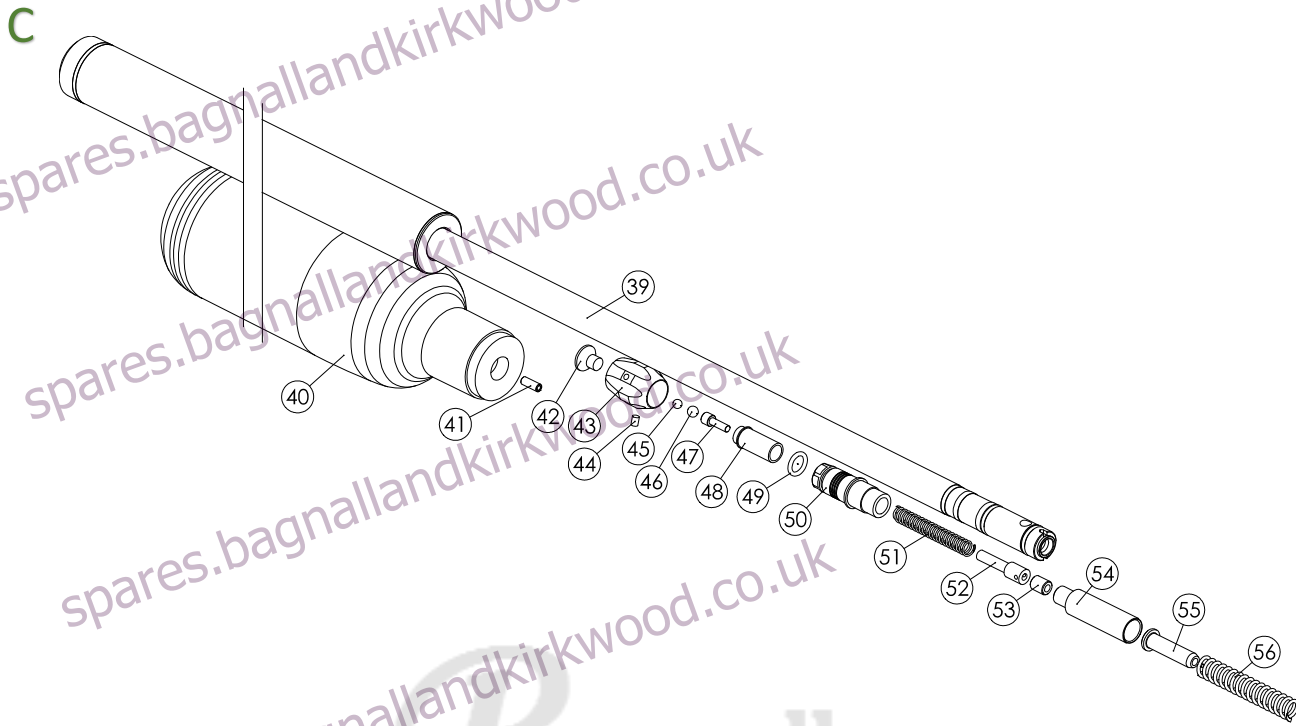
**A**



**B**

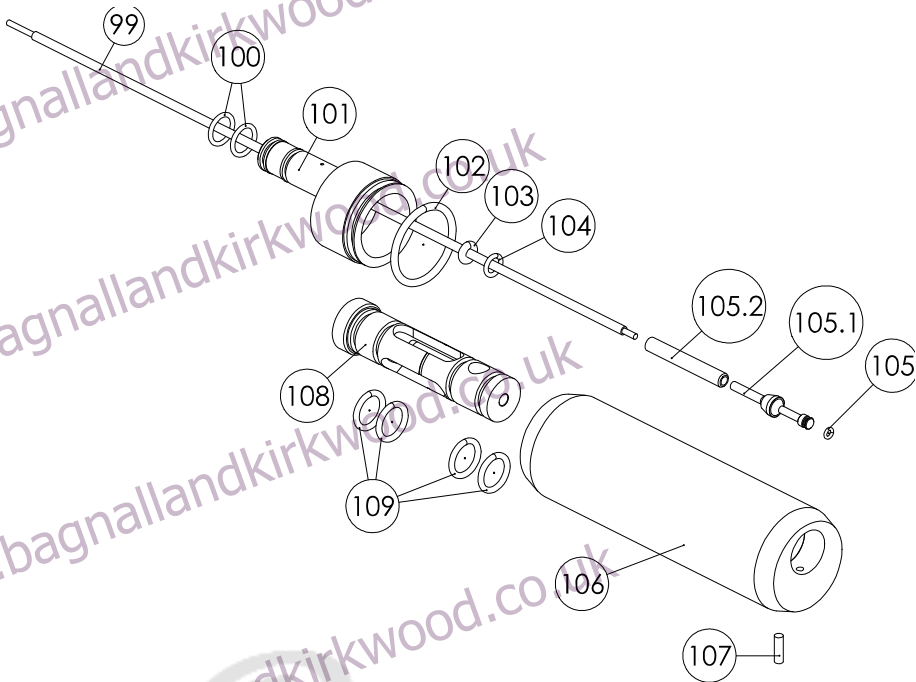


Model	Other model names	Date	Revision	Revision date
FX Impact M3		2021-04-14	EN.21.01	2021-04-19

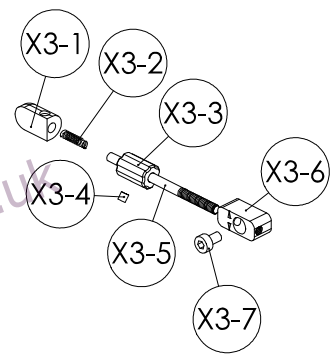
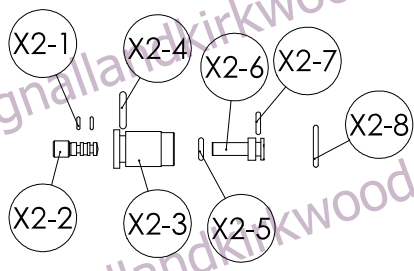
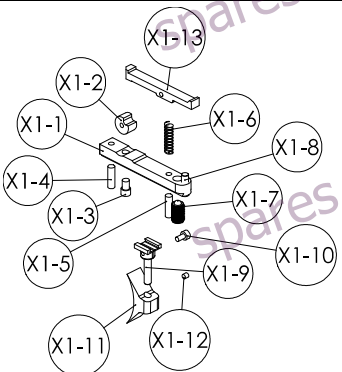
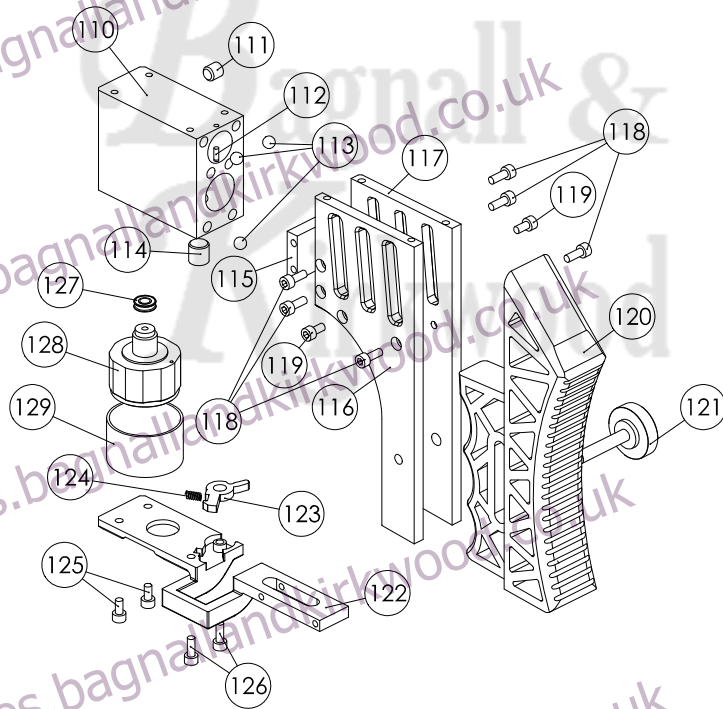


Model	Other model names	Date	Revision	Revision date
FX Impact M3		2021-04-14	EN.21.01	2021-04-19

**E**



**F**





Model	Other model names	Date	Revision	Revision date
FX Impact M3		2021-04-14	EN.21.01	2021-04-19

NO	ART. NO	DESCRIPTION	NO	ART. NO	DESCRIPTION
A1	19644	Rail Picatinny x3 Impact Black	D57	10287	Trigger block Impact M3 Black
A2	19684	Socket head cap screw	D57	10285	Trigger block Impact M3 Bronze
A3	2554	Socket head cap screw	D58	EX28.7	X-ring
A4	19779	Cheek piece for Impact (january 2019)	D59	19775	Manometer 28mm with black cover
A5	12610	Socket head cap screw	D60	19776	Sleeve for manometer black Impact MKII
A6	19642	Guiding Plate Impact	D61	10336	Safety Impact M3
A7	11506	Socket head cap screw	D62	2504	Countersunk screw
A8	19740	Socket head cap screw	D63	4066	Steel ball
A9	12610	Socket head cap screw	D64	11501	Spring
A10	12610	Socket head cap screw	D65	2561	Dog point grub screw
A10.1	2527	Socket head cap screw	D66	4066	Steel ball
B11	10339	Rear Support Impact M3	D67	5565	Fjäder
B12	BK97.2	O-ring	D68	19715	Socket head cap screw
B13	BK98	O-ring	D69	19736	Plastic Washer
B14	10323	Sleeve spring pin Reloadingblock Impact M3	D70	2561	Dog point grub screw
B15	10322	Spring pin reloadingblock Impact M3	D71	2501	Grub screw
B16	17046	Spring	D72	4535	Socket head cap screw
B17	10299	Reloading block Impact M3	D73	19609	Spring holder Impact
B18	19653	Puck	D74	19710	Houge Grip Rubber AR15
B19	19713	Socket head cap screw	D75	19743	Socket head cap screw
B20	19676	Sleeve reloading	D76	19682	Socket head cap screw
B21	19652	Puck	D77	16303	Quick connector short
B22	3010	CPK	D77.1	BK81.1	O-ring
B23	2562	Cup point grub screw	D77.2	BK23	O-ring
B24	10300	Rear support Impact M3	D77.3	19005	Inlet valve rod - Blue
B25	3010	CPK	D78	BK69	O-ring
B26	2562	Cup point grub screw	D79	19910	Dust Cover - Quick Connection
B27	19021	Side lever linkage	D80	19689	Trigger guard Impact, black
B28	10340	Sidelever Impact M3	D81	11501	Spring
B29	19026	Cylindrical pin	D82	4066	Steel ball
B30	10301	Side lever handle Impact M3	D83	10310	Power adjuster Impact M3
B31	11060	Socket head cap screw	D84	2508	Countersunk screw
B32	19667	Reloading Bar	D85	19040	Cylindrical pin
B33	19612	Pellet probe guide	D86	19693	Impact sprintholder
B34	19614	Pellet probe holder	D87	2504	Countersunk screw
B35	19601	Cylindrical pin	D88	N/A	N/A
B36	2505	Countersunk screw	D89	BK78	O-ring
B37	19641	Pellet probe Impact .177	D90	-	Brass washer Impact M3, 1.7mm – 2.1mm
B37	19620	Pellet probe Impact .22	D89	BK82.3	O-ring
B37	19621	Pellet probe Impact .25	D90	-	Brass washer Impact M3, 1.2mm – 1.6mm
B37	19619	Pellet probe Impact .30	D91	7984	Socket head cap screw
B37	19798	Pellet probe Impact .35	D92	BK14.3	O-ring
B38	19643	Grub screw, Feeding pin, M4,	D93	19736	Plastic Washer
C39	Support page	See schematic "Impact Barrel kit"	D94	BK10.5	O-ring
C40	Support page	See schematic "Bottle"	D95	10335	Brass adapter Impact M3
C41	10290	Valve Pin Bushing Impact M3	D95.1	19694	Brass adapter Impact
C42	19717	Countersunk screw	D96	BK99.3	O-ring
C43	10327	Valve adjuster knob Impact M3	D97	20540	Bottle connector Impact M3 cpl.
C44	16092	Grub screw	D98	11507	Rubber/Steel Washer
C45	19227	Rubber ball			
C46	5110	Rubberball	E99	19647	Valverod
C47	10325	Valve stop piston Impact M3	E100	BK76.2	O-ring
C48	20277	Valve adjuster screw	E101	10338	Valvetube End, Power Plenum Impact M3
C49	BK76	O-ring	E102	BK134.1	O-ring
C50	19616	Valvestop Impact	E103	BK20.5	O-ring
C51	1301	Spring	E104	BK55	O-ring
C51	2602	Spring (harder spring on .22 sniper)	E105	BK10.5	O-ring
C52	19604	Hammerseat	E105.1	20275	Valvepin complete Impact, Power Plenum
C52	20392-C	Hammerseat Impact .35 cpl	E105.2	19603	Valve nut impact
C53	20272	Hammer Sleeve, Impact, Power Plenum	E106	10337	Valvetube Power Plenum Impact M3
C54	20270	Hammer V2 Power Plenum	E107	11508	Grub screw
C55	20271	Hammer weight Power Plenum	E108	19786	Valvehouse, Impact, Power Plenum
C56	2604	Hammerspring 52mm	E109	BK82.7	O-ring

Model	Other model names	Date	Revision	Revision date
FX Impact M3		2021-04-14	EN.21.01	2021-04-19

F110	19698	Rear block Impact	X2-1	BK10.7	O-ring
F111	19846	Grubb screw	X2-2	19695	Regulator Screw Impact
F112	19702	Cylindrical pin	X2-3	19697-1	Regulator house
F113	5110	Rubberball	X2-4	BK65.8	O-ring
F114	19224	Cup point grub screw	X2-5	BK33	O-ring
F115	19606	Magazine holder Impact	X2-6	19696	Regulator piston (long) (May 2017>)
F116	19646	Left plate Impact	X2-7	BK33	O-ring
F117	19645	Right plate Impact	X2-8	BK82.1	O-ring
F118	12610	Socket head cap screw			(inserted in trigger block D57)
F119	19713	Socket head cap screw			
F120	19618	Recoilpad	X3-1	10293	Quick adjustment guide Impact M3
F121	19728	Adjustment Screw Recoilpad Impact	X3-2	1147	Spring
F122	20117	Magazine bracket Impact MkII	X3-3	10292	Quick adjustment wheel Impact M3
F123	20116	Locking arm Magazine bracket MkII	X3-4	12035	Grub screw
F124	16093	Spring	X3-5	10291	Quick adjustment axle Impact M3
F125	19713	Socket head cap screw	X3-6	19062	Hammer adjuster
F126	12610	Socket head cap screw	X3-7	19715	Socket head cap screw
F127	EX28.7	X-ring			
F128	19775	Manometer 28mm with black cover			
F129	19776	Sleeve for manometer black Impact MKII			
X1-1	10302	Triggerbase Impact M3			
X1-2	11525	Triggerroll			
X1-3	19927	Screw trigger roll Crown			
X1-4	11508	Grub screw			
X1-5	11508	Grub screw			
X1-6	11504	Spring			
X1-7	11015	Second stage trigger screw M5			
X1-8	11508	Grub screw			
X1-9	10346	Triggerpin Impact M3			
X1-10	19178	Screw			
X1-11	19136	Adjustable trigger blade			
X1-12	12035	Grub screw			
X1-13	19636	Triggersear			