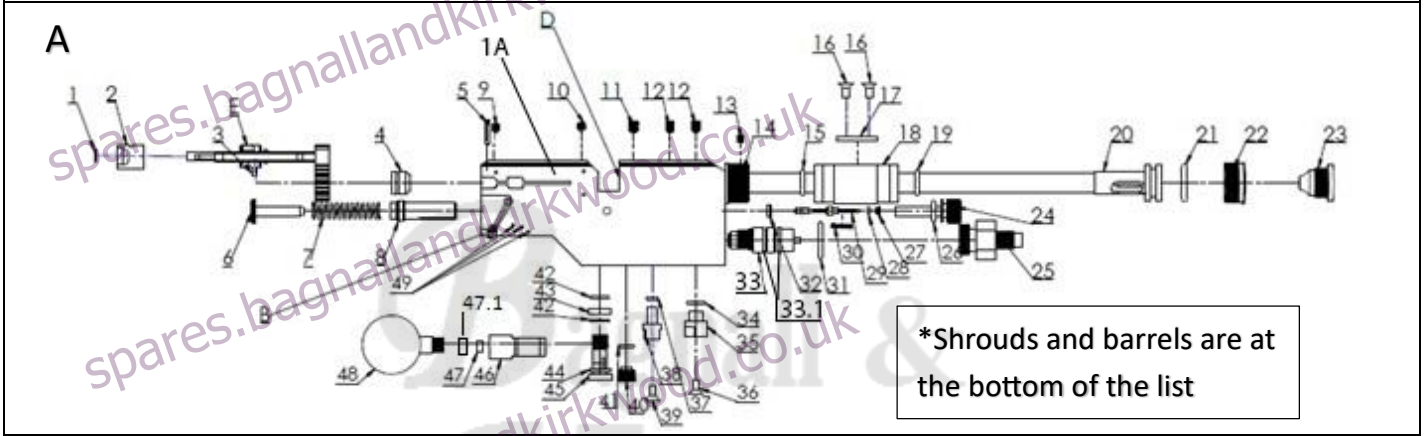
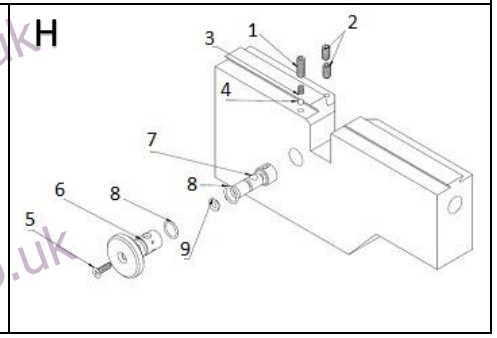
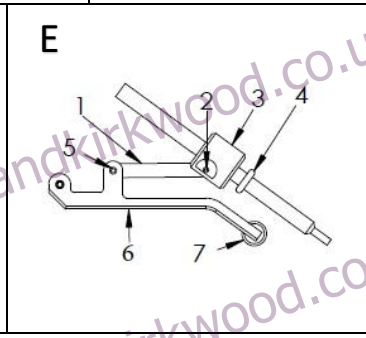
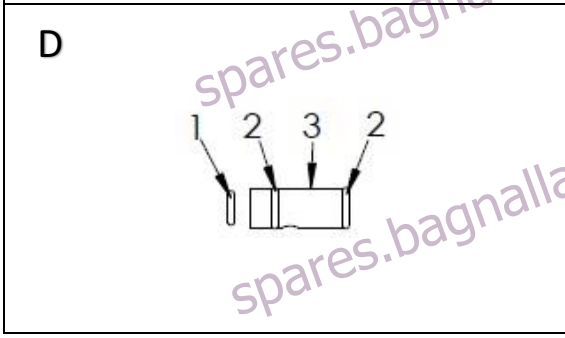
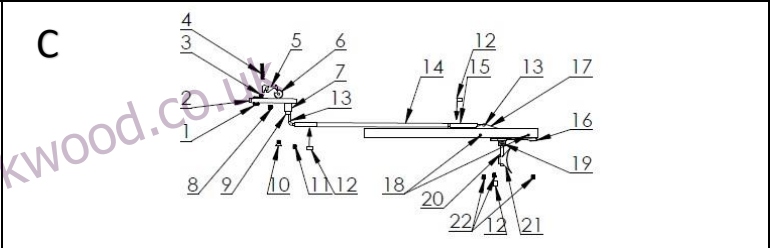
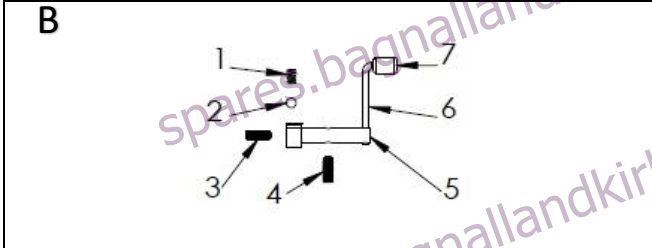
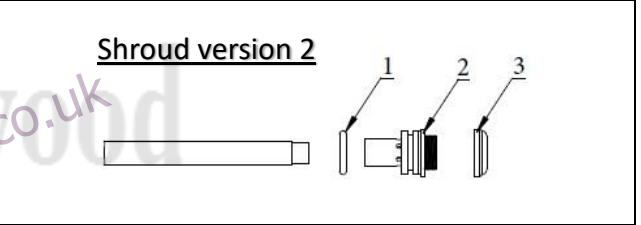
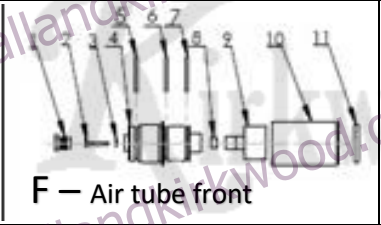
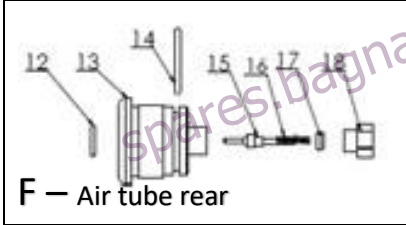


Model	Other model names	Date	Revision	Revision date
FX Bobcat MkII		2019-07-29	EN.20.04	2020-06-30



*Shrouds and barrels are at the bottom of the list



Model	Other model names	Date	Revision	Revision date
FX Bobcat MkII		2019-07-29	EN.20.04	2020-06-30

NO	ART.NO	DESCRIPTION	NO	ART. NO	DESCRIPTION
1	19336	Cheek piece Bobcat	A28	5111	O-ring BK14
2	19317	Rail bobcat 5 hole	A29	7015	Valve pin V7 complete
2.1	4509	Socket head cap screw	A29	7019	Valve pin SHP- Complete
			A29	7019	Valve pin SHP- Complete
3	19320	Bobcat stock	A30	2525	Spring 0,6x4x15
6	16051	Adjustable recoil pad	A31	12046	O-ring BK104.4
A 1A	.177-.25	Main Block Independence	A32	7044	Complete Valveseat
A 1A	.30	Barrel housing V13 .30	A32	19060	Complete SHP Valveseat
A1	5112	O-ring BK51	A32	19217	Valve seat Cal.30 Complete
A2	19029	Rear pellet probe guide	A33	19043	Regulator Mounted
A3	11509	CPK	A33.1	5109	O-ring BK89
A4 - 4,5	19013	Black plastic bushing	A34	19327	O-ring BK81.7
A4 - 5,5	19012	Black plastic bushing	A35	19302	Attachment 1/8" to M5
A4 - 6,35	19101	Black plastic bushing	A36	5203	Countersunk
A4 - 7,62	19211	Black plastic bushing	A37	5112	O-ring BK51
A5	19034	M3 special screw v7	A38	19121	Stock attachment
A6	11541	Hammer spring adjuster	A39	5203	Countersink
A6	11030	Hammer spring Adjuster	A40	19330	Plug
A7	11500	Hammer spring	A41	4528	O-ring BK69
A8 - 6,35-5,5	11540	Hammer weight	A42	19327	O-ring BK81.7
A8-7,62	17003	Hammer weight v4	A43	19230	Washer seal guide
A8	19039	Hammer v7	A44	1511	Rubbersteel washerBKD8
A9	5203	Countersunk screw	A45	19052	Gauge mount Bolt v8
A10	2534	Conical grub screw	A46	19051	Gauge mount
A11	19086	Conical grub screw	A47	5003	Plastic Washer
A11 - 7,62	19224	Conical grub screw	A47.1	5010	Plastic washer
A12	2503	Conical grub screw	A48	19347	Pressure gauge Bobcat 250bar
A12-7,62	19086	Conical grub screw	A49	19040	Cylindrical pin
A13	11201	Conical grub screw			
A14	19314	Rear shroud mount bullpup			
A15	12045	O-ring BK97.2			
A16	19025	Countersunk screw M5x8	B1	11503	Spring 0,5x2,5x4,4
A17	19014	Dovetail plate	B2	11527	Steelball
A18	19316	Barrelsupport	B3	11633	Grubscrew
A19	12045	O-ring BK97.2	B4	11508	Grubscrew
A20	19028	Shroud compensator 4,5-5,5	B5	11027	Safety pivot
A21	19098	O-ring	B6	11625	Safety lever 27,5mm Cyclone, Cutlas, Rancho.
A22	18010	Muzzle thread insert	B7	11200	Safety knob
A23 - 4,5	17023	Muzzle	C1	11062	Adj screw second stage, soft
A23 - 5,5	17000	Muzzle	C2	11524	Trigger base
A23 - 6,35	19112	Muzzle	C3	2500	Grubscrew
A23 - 7,62	19212	Muzzle	C4	11504-2	Spring 0,4x2,5x15
		Shroud version 2.	C5	11031	Trigger Sear
1	5113	O-ring BK115	C6	11525	Trigger roll
2 - 4,5 5,5	19122	Muzzle mkII	C7	19315	Trigger block receiver side
2 - 6,35	19124	Muzzle MkII 6,35	C8	16092	Grubscrew
2 - 7,62	19125	Muzzle mkII 7,62	C9	2532	Socket head cap screw
3	19128	Thread cover M20	C10	13039	Countersunk
A24	19009	Guide M16	C11	2500	Grubscrew
A25	19056	Connector M20x1 v7	C12	16100	Magnet
A26	5105	O-ring BK78	C13	19305	Ballpin
A27	19038	Spring seat v7			

Model	Other model names	Date	Revision	Revision date
FX Bobcat MkII		2019-07-29	EN.20.04	2020-03-30

C14	19312	Triggerextensin rod M3	H1	2502	Grubscrew
C15	19307	Trigger adjustment m3	H2	12033	Grubscrew
C16	19167	Match trigger rail	H3	11501	Spring 0,5x2,5x6,1
C17	19303	Trigger connection	H4	4066	Steelball
C18	19040	Cylindrical pin	H5	2508	Countersunk screw
C19	19178	Screw	H6	16083	Power wheel
C20	19137	Trigger pin	H7	16082	Inner axel 4,5mm for power wheel
C21	19136	Adjustable Trigger shoe	H8	19117	O-ring BK71
C22	16092	Grubscrew	H9	19109	O-ring BK33
D1 – 4,5	2529	O-ring BK38			
D1 – 5,5	5108	O-ring BK51			AirTubes
D1 – 6,35	4526	O-ring BK62	4,5-5,5	19308	Tube Bobcat
D1- 7,62	19209	O-ring BK65.7	4,5-5,5	7071	Air tube Bobcat MKII 300cc, Complete
D2	5112	O-ring BK51	6,35-7,62	19339	Air tube Bobcat/R300
D2– 7,62	19210	O-ring BK87.7	6,35-7,62	7072	Air tube Bobcat MKII 470cc, Complete
D3 – 4,5	2057	Barrel brass inlet .177			
D3 – 5,5	2056	Barrel brass inlet.22	Barrels		
D3-6,35	19104	Barrel brass inlet.25	4,5	12030	Barrel .177 14 – 485mm
D3- 7,62	19207	Barrel brass inlet.30	5,5	12006	Barrel 55-14-485
E1	19021	Side lever linkage	6,35	19106	Barrel 6,35-14-600
E2	19042	Cylindrical pin	7,62	19206	Barrel 7,62-14-600
E3- 4,5	19011	Pellet probe 4,5			
E3 – 5,5	19010	Pellet probe 5,5	Shrouds Sweden		
E3 – 6,35	19192	Pellet probe 6,35	4,5 & 5,5	19099	Shroud 345mm R5
E3 – 7,62	19200	Pellet probe 7,62	6,35	19142	Shroud 447mm Extreme
E4 – 4,5	19171	O-ring BK34			
E4- 5,5	19332	O-ring BK50	Shrouds export		
E4 – 6,35	19228	O-ring BK59.5	4,5 & 5,5	19129	Shroud 247mm
E4 – 7,62	19225	O-ring BK65.8	6,35 & 7,62	19328	Shroud 362,5mm .25-.30
E5	19026	Cylindrical pin			
E6	19020	Sidelever v7			
E7	19037	Side lever Handle v7			
F1	19035	Plugg 1/8" v7			
F2	19329	Inlet valve rod "gold"			
F3	5111	O-ring BK14			
F4	19309	Tube end mano 40mm			
F5	19195	O-ring BK137Z			
F6	19196	O-ring BK136.2			
F7	19196	O-ring BK136.2			
F8	5005	Plastic washer			
F9	11505	Pressure gauge 25mm 1/8"			
F10	19344	Dust cover			
F11	19382	Delrin bushing dust cover			
F12	5105	O-ring BK78			
F13	19335	Tube end open			
F14	19195	O-ring BK137Z			
F15	7018	Valvepin AirTube Complete			
F16	2525	Spring 0,6x4x15			
F17	7044	Valveseat complete			
F18	11013	Valve pin Nut			