

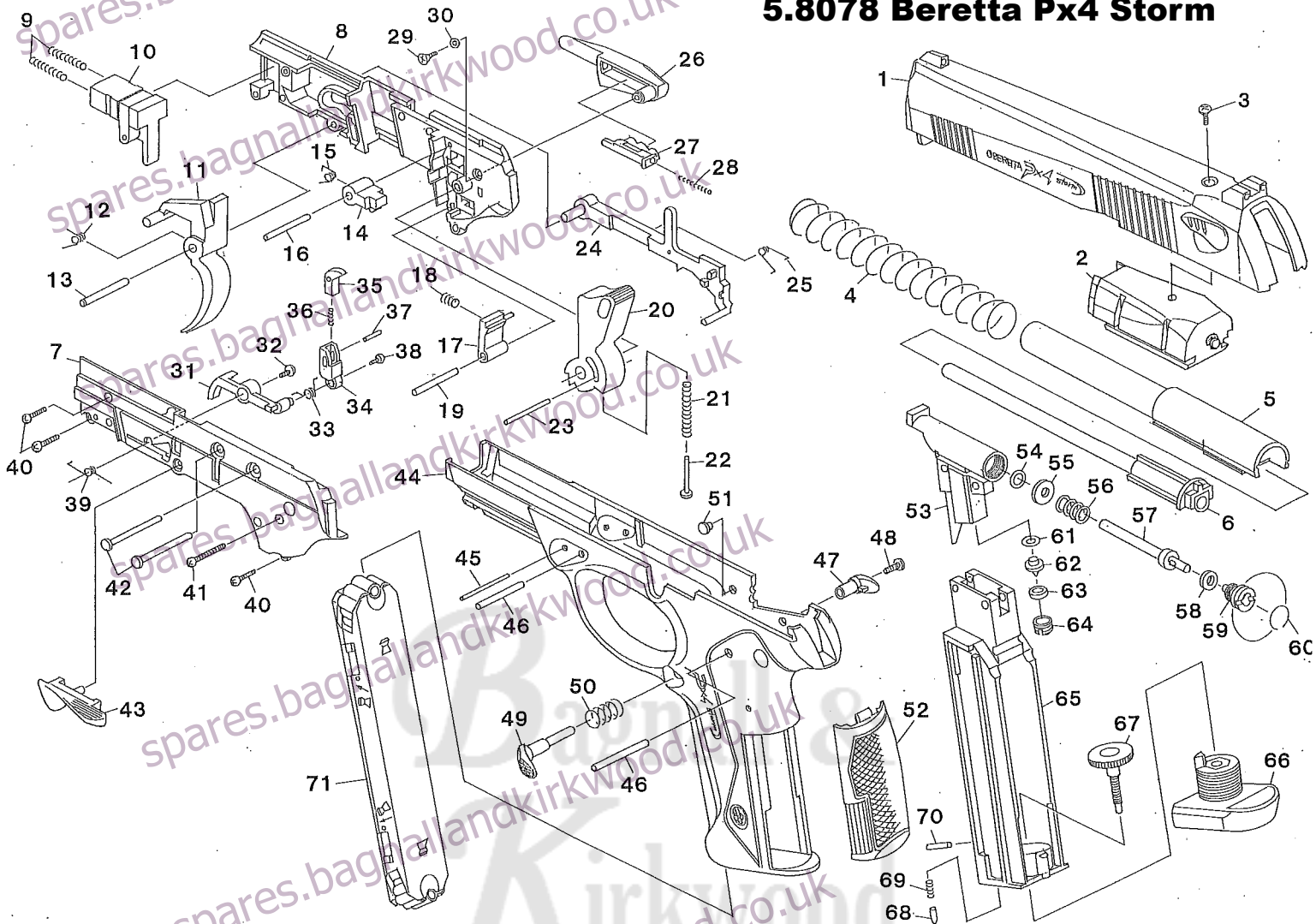
PARTS OF Px-4 Storm

Spare parts available at:

spares.bagnallandkirkwood.co.uk

For spare parts not listed please contact us using the reference codes above

5.8078 Beretta Px4 Storm



- | | | |
|--------------------------------|-------------------------------|--|
| 1. Slide | 26. Safety | 51. Red Dot |
| 2. Cylinder Block Assembly | 27. Safety Lock | 52. Back Strap |
| 3. Cylinder Block Screw | 28. Safety Lock Spring | 53. Valve Body |
| 4. Recoil Spring | 29. Safety Screw | 54. Valve O-ring |
| 5. Outer Barrel | 30. Space O-ring | 55. Valve Washer |
| 6. Inner Barrel Assembly | 31. Hand Lever | 56. Valve Spring |
| 7. Mechanism Frame Left | 32. Hand Lever Screw | 57. Valve |
| 8. Mechanism Frame Right | 33. Hand Spring | 58. Valve Seal |
| 9. Buffer Spring | 34. Hand | 59. Valve Rear Cap |
| 10. Slide Block | 35. Pawl | 60. Piston Ring |
| 11. Trigger | 36. Pawl Spring | 61. Retainer O-ring |
| 12. Trigger Spring | 37. Pawl Pin | 62. Puncture Pin Assembly |
| 13. Trigger Pin | 38. Hand Screw | 63. Face Seal |
| 14. Hammer Block Piece | 39. Hand Lever Spring | 64. Puncture Pin Holder |
| 15. Hammer Block Piece Spring | 40. Mechanism Frame Screw (S) | 65. Puncture Frame |
| 16. Hammer Block Piece Pin | 41. Mechanism Frame Screw (L) | 66. Puncture Knob |
| 17. Sear | 42. Valve Body Pin | 67. Puncture Adjuster |
| 18. Sear Spring | 43. External Slide Stop | 68. Puncture Knob Click Plunger |
| 19. Sear Pin | 44. Frame | 69. Puncture Knob Click Plunger Spring |
| 20. Hammer | 45. Slide Block Pin | 70. Puncture Knob Stop Pin |
| 21. Hammer Spring | 46. Mechanism Frame Pin | 71. Magazine Assembly |
| 22. Hammer Spring Guide | 47. Magazine Catch | |
| 23. Hammer Spring Pressure Pin | 48. Magazine Catch Screw | |
| 24. Trigger Bar | 49. Magazine Catch Button | |
| 25. Trigger Bar Spring | 50. Magazine Catch Spring | |
| | | 100. Valve Assembly (No. 53~64) |