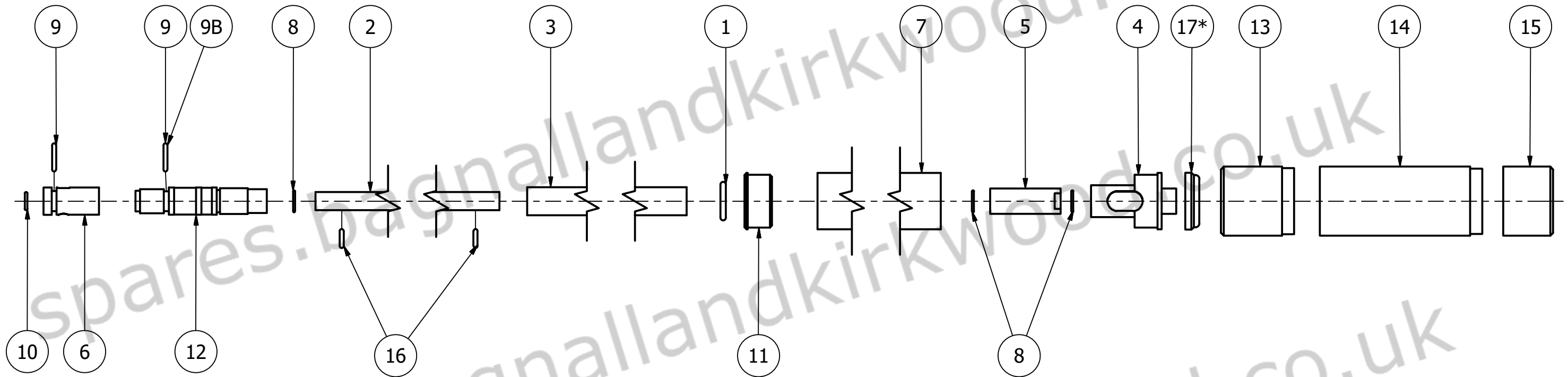


Spare parts available at:  
[spares.bagnallandkirkwood.co.uk](http://spares.bagnallandkirkwood.co.uk)  
 For spare parts not listed please contact us using the reference codes above

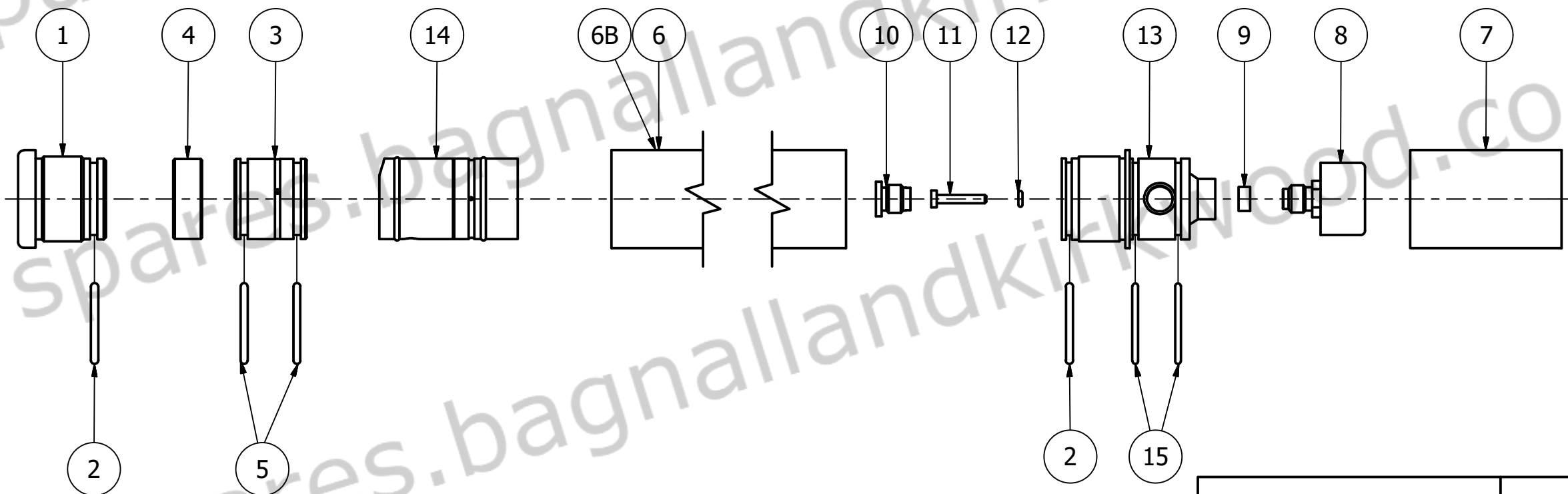
FX Airguns	Wildcat MKII	
	Rev 1	Sheet 1 / 7

**A**



\* = Only on 10J, CAN and AUS models

**B**



Spare parts available at:

[spares.bagnallandkirkwood.co.uk](http://spares.bagnallandkirkwood.co.uk)

For spare parts not listed please contact us using the reference codes above

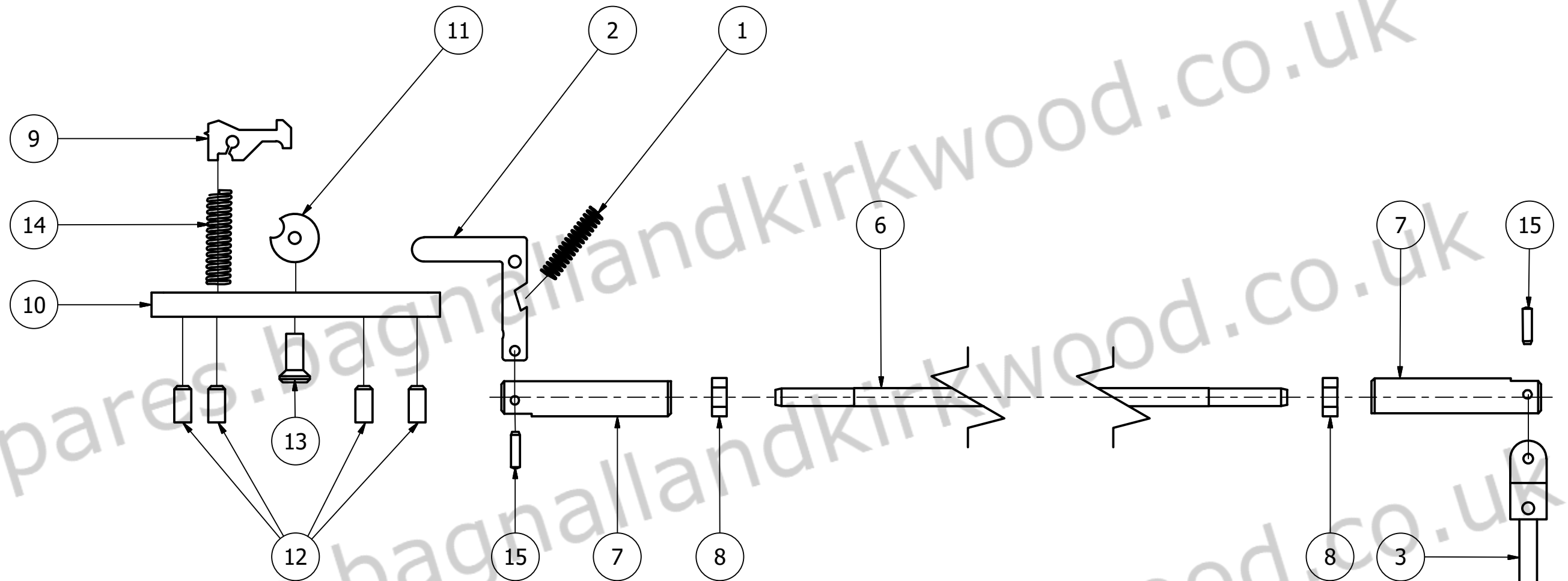
**FX Airguns**

Wildcat MKII

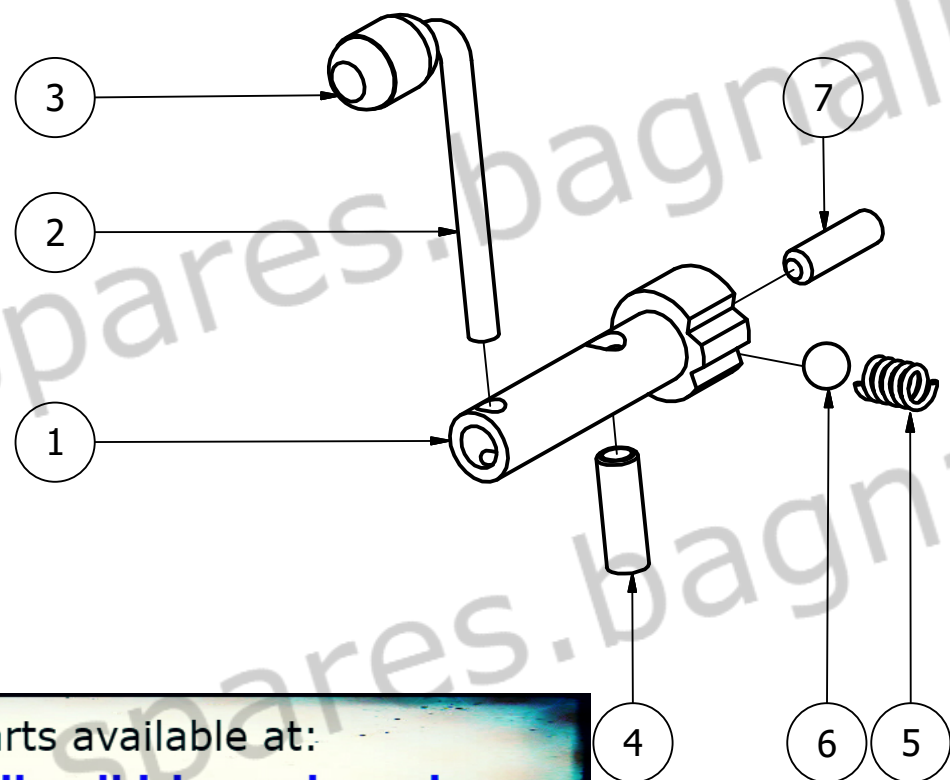
Rev 1

Sheet 2 / 7

D



C



FX Airguns

Wildcat MKII

Rev 1

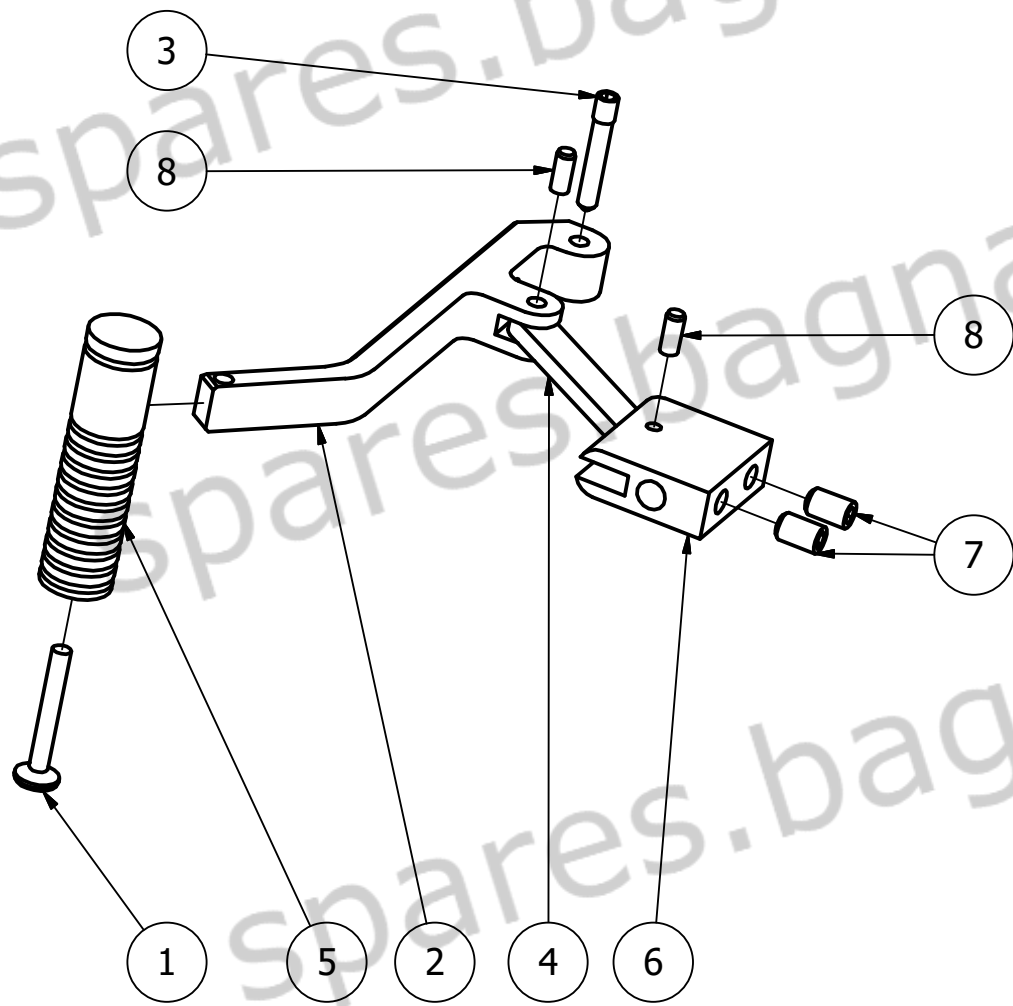
Sheet 3 / 7

Spare parts available at:

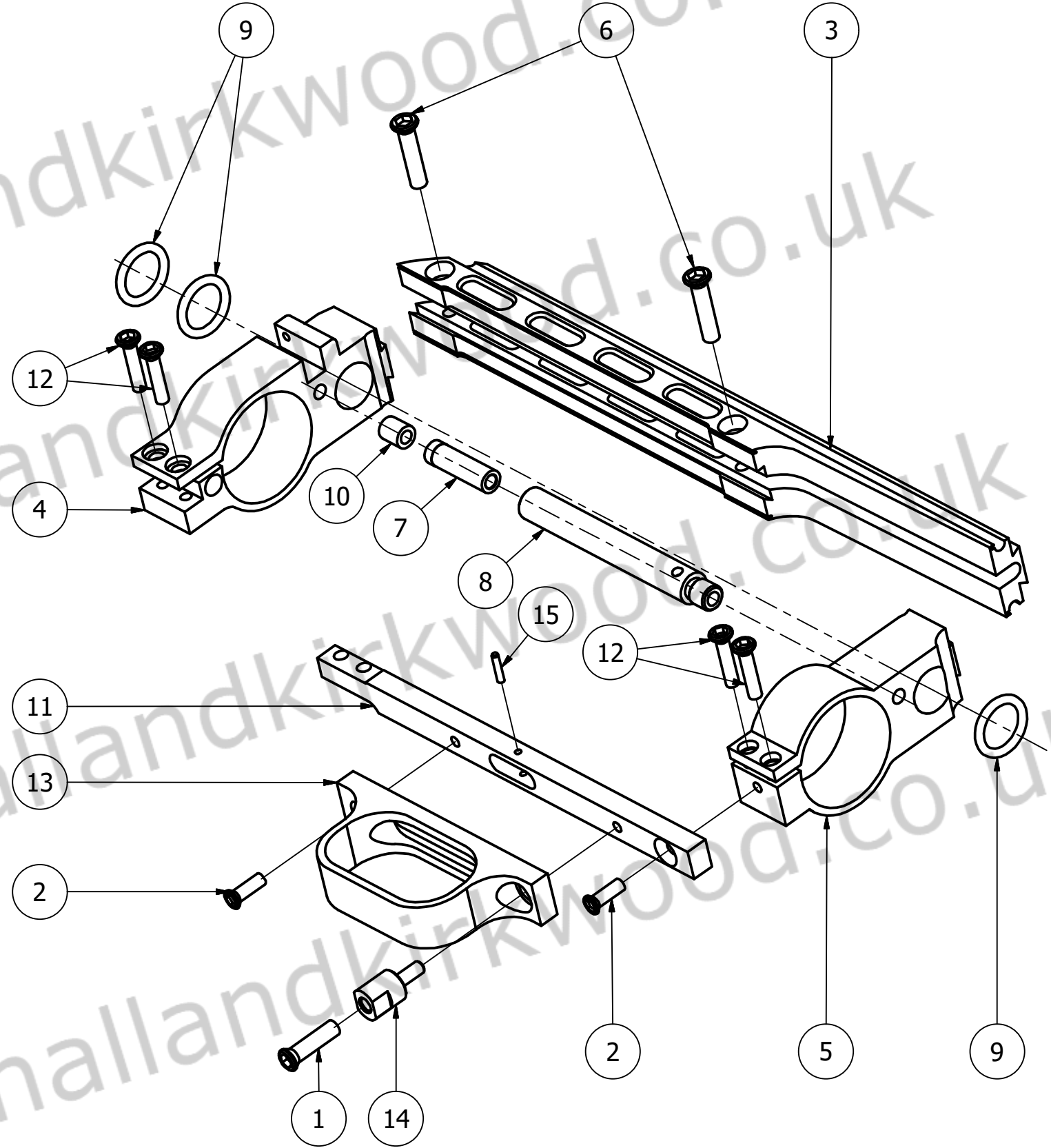
[spares.bagnallandkirkwood.co.uk](http://spares.bagnallandkirkwood.co.uk)

For spare parts not listed please contact us using the reference codes above

E



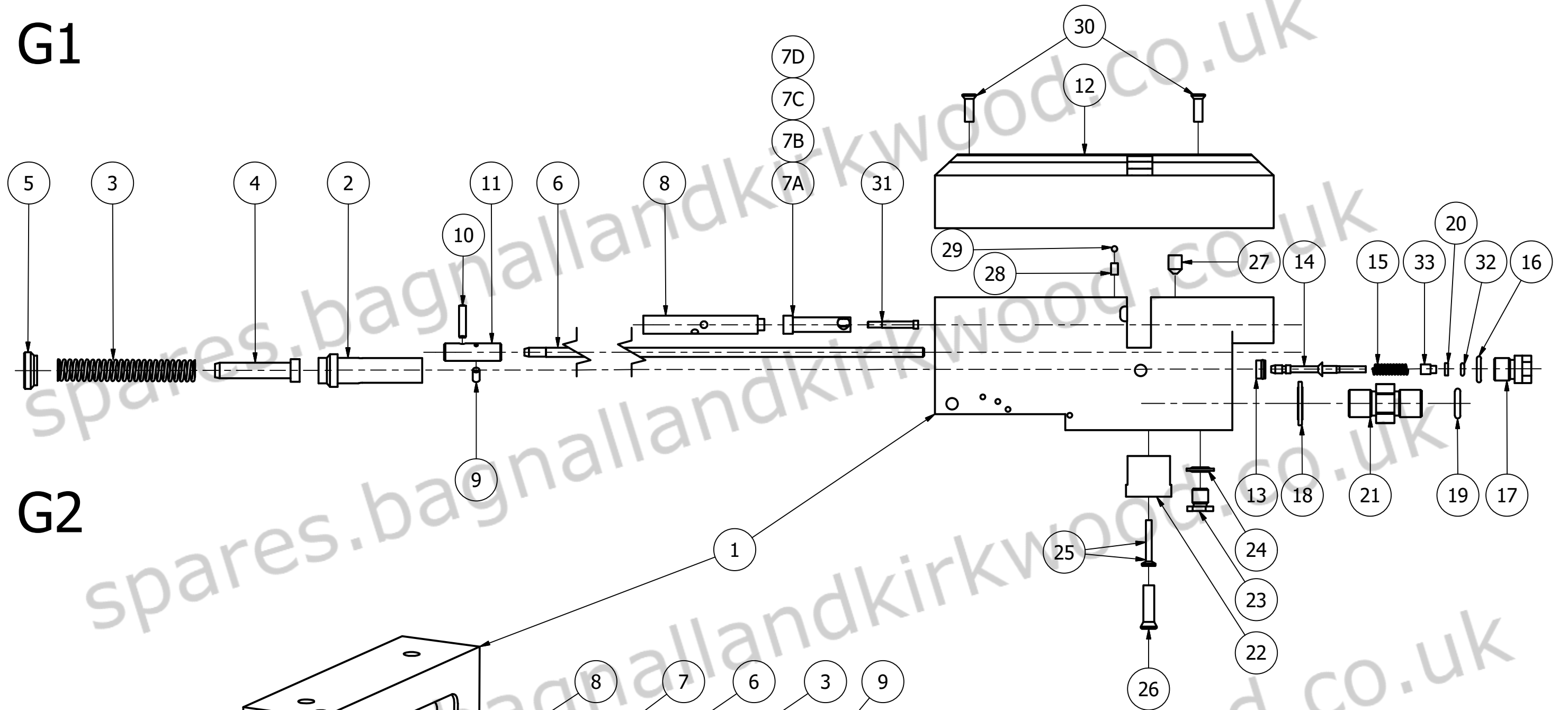
F



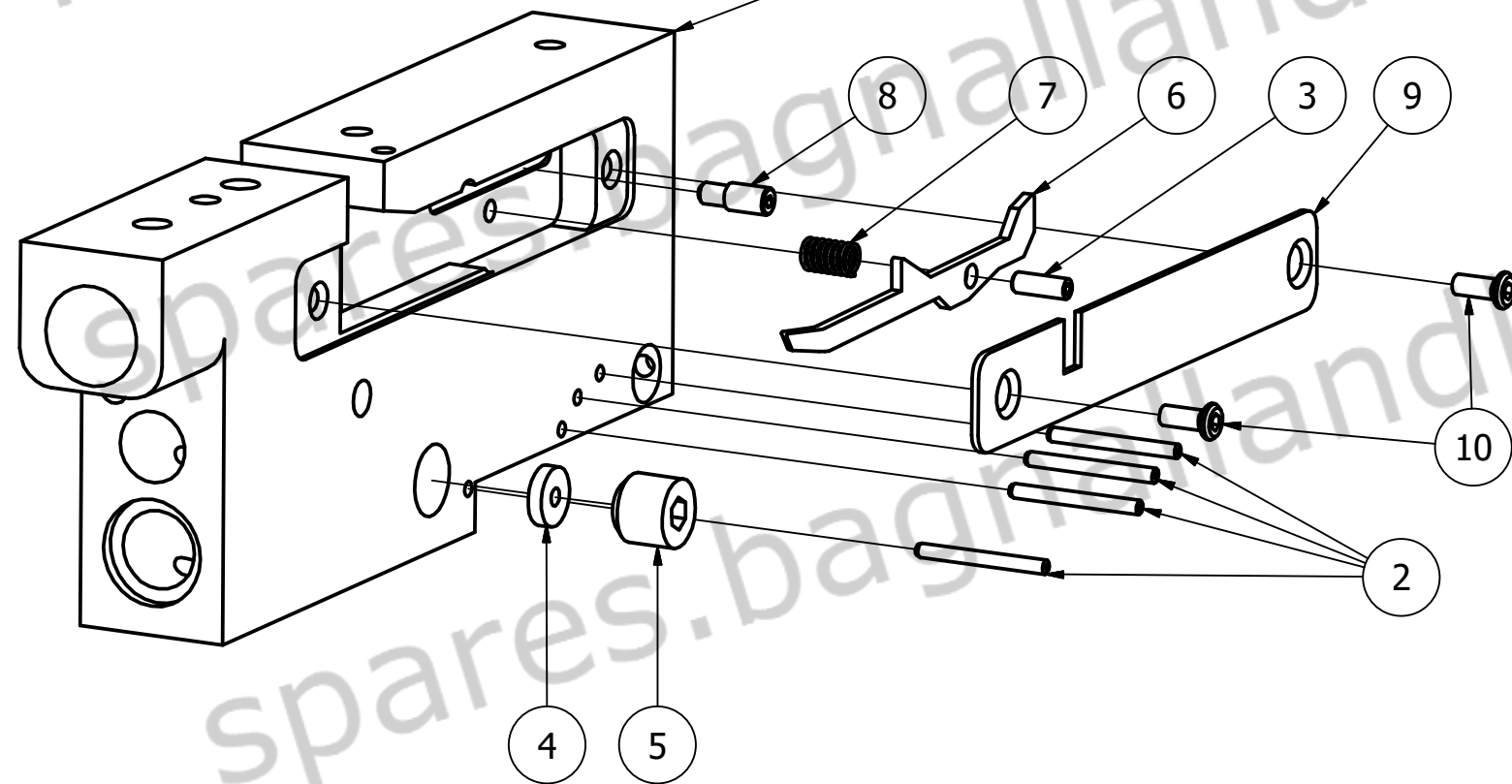
Spare parts available at:  
[spares.bagnallandkirkwood.co.uk](http://spares.bagnallandkirkwood.co.uk)  
 For spare parts not listed please contact us using the reference codes above

<b>FX Airguns</b>	<b>Wildcat MKII</b>	
	Rev 1	Sheet 4 / 7

# G1



# G2



Spare parts available at:  
[spares.bagnallandkirkwood.co.uk](http://spares.bagnallandkirkwood.co.uk)  
For spare parts not listed please contact us using the reference codes above

FX Airguns

Wildcat MKII

Rev 1

Sheet 5 / 7

A - Barrel .177				A - Barrel .22				B - Tube			
Product ID	Item	QTY	Part Name	Product ID	Item	QTY	Part Name	Product ID	Item	QTY	Part Name
12045	1	1	O-ring BK97.2	12045	1	1	O-ring 97.2	19543	1	1	Rear Tube End
19964	2	1	STX Liner .177	19965	2	1	STX Liner .22	19485	2	2	O-ring BK128.3
19973	3	1	Tube 14 x 1 x 435mm	19973	3	1	Tube 14 x 1 x 435mm	19512	3	1	Regulator Seat
19750	4	1	End Cap Shroud	19750	4	1	End Cap Shroud	19514	4	1	Regulator Spacer
19968	5	1	Liner Lock .177	19969	5	1	Liner Lock .22	19497	5	2	O-ring BK128.7
19628	6	1	Barrel Inlet .177	19650	6	1	Barrel Inlet .22	19556	6	1	Tube 570mm (.25 & .30)
19573	7	1	Shroud 230mm	19573	7	1	Shroud 230mm	19555	6B	1	Tube 410mm (.177 & .22)
19837	8	3	O-ring BK64	19117	8	3	O-ring BK71	19544	7	1	Dust Cover
19703	9	2	O-ring BK82.3	19703	9	2	O-ring BK82.3	11505	8	1	Pressure Gauge 25mm 1/8"
2529	10	1	O-ring BK38	19952	10	1	O-ring BK49	5003	9	1	Plastic Washer 4mm 1/8"
19588	11	1	Shroud Start WC MK II	19588	11	1	Shroud Start WC MK II	19530	10	1	Plug 1/8" Gold
19960	12	1	Barrel Attachment .177	19961	12	1	Barrel Attachment .22	19329	11	1	Inlet Valve Rod "Gold"
19997	13	1	Shroud start 35mm UNF 1/2"	19997	13	1	Shroud Start 35mm UNF 1/2"	5111	12	1	O-ring BK14
19680	14	1	Shroud Mid Part 35mm UNF 1/2"	19680	14	1	Shroud Mid Part 35mm UNF 1/2"	19542	13	1	Front Tube End Pressure Gauge
19662	15	1	Shroud Endcap 35mm .22 UNF 1/2"	19662	15	1	Shroud Endcap 35mm .22 UNF 1/2"	20199	14	1	Regulator Complete
19958	16	2	O-ring BK60	19952	16	2	O-ring BK51	19484	15	2	O-ring BK131.7
19128	17*	1	Thread Cover	19128	17*	1	Thread Cover				
A - Barrel .25				A - Barrel .30				C - Safety			
Product ID	Item	QTY	Part Name	Product ID	Item	QTY	Part Name	Product ID	Item	QTY	Part Name
12045	1	1	O-ring BK97.2	12045	1	1	O-ring BK97.2	19513	1	1	Safety Pivot
19966	2	1	STX Liner .25	19966	2	1	STX Liner .30	19584	2	1	Safety Lever
19972	3	1	Tube 14 x 1 x 550mm	19972	3	1	Tube 14 x 1 x 550mm	11200	3	1	Safety Knob
19750	4	1	End Cap Shroud	19750	4	1	End Cap Shroud	19742	4	1	Grub Screw M3x8
19970	5	1	Liner Lock .25	19971	5	1	Liner Lock .30	11503	5	1	Spring 0,5 x 2,5 x 4,4
19670	6	1	Barrel Inlet .25	19671	6	1	Barrel Inlet .30	4066	6	1	Steel Ball BB-NSS
19099	7	1	Shroud 345mm	19099	7	1	Shroud 345mm	11633	7	1	Grub Screw
19954	8	3	O-ring BK75.3	19145	8	1	O-ring BK81				
19703	9	2	O-ring BK82.3	19703	9	1	O-ring BK82.3				
2575	10	1	O-ring BK62	19210	9B	1	O-ring BK87.7				
19588	11	1	Shroud Start WC MK II	5125	10	1	O-ring BK65.7				
19962	12	1	Barrel Attachment .25	19588	11	1	Shroud Start WC MK II				
19997	13	1	Shroud start 35mm UNF 1/2"	19963	12	1	Barrel Attachment .30				
19680	14	1	Shroud Mid Part 35mm UNF 1/2"	19997	13	1	Shroud start 35mm UNF 1/2"				
19663	15	1	Shroud Endcap 35mm .25 UNF 1/2"	19680	14	1	Shroud Mid Part 35mm UNF 1/2"				
19953	16	2	O-ring BK57	19664	15	1	Shroud Endcap 35mm .30 UNF 1/2"				
19128	17*	1	Thread Cover	5125	16	2	O-ring BK62.5				
				19128	17*	1	Thread Cover				

Spare parts available at:  
[spares.bagnallandkirkwood.co.uk](http://spares.bagnallandkirkwood.co.uk)  
For spare parts not listed please contact us using the reference codes above

<b>FX Airguns</b>	<b>Wildcat MKII</b>	
	Rev 1	Sheet 6 / 7

D - Trigger Structure				G1 - Main Block				F - Stabilizer			
Product ID	Item	QTY	Part Name	Product ID	Item	QTY	Part Name	Product ID	Item	QTY	Part Name
19498	1	1	Spring 0,2 x 2,5 x 13,1	19599	1	1	Main Block	19483	1	1	Countersunk Screw
19527	2	1	Wildcat L Triggerpart	19039	2	1	Hammer V7	2505	2	2	Countersunk Screw
19506	3	1	Trigger Mount	11500	3	1	Hammerspring*	19525	3	1	Wildcat Rail
19136	4	1	Adjustable Trigger Blade	19215	4	1	Hammerweight 4mm	19523	4	1	Rear Barrel Support
12035	5	1	Grub Screw	11030	5	1	Hammer Spring Adjuster	19524	5	1	Front Barrel Support
19518	6	1	Trigger Rod	19516	6	1	Reloading Rod	4509	6	2	Socket Head Cap Screw
19574	7	2	Metal Clevis M3	19520	7A	1	Pellet Probe .177	19540	7	1	Short Bushing For Reloading Rod
19482	8	2	Nut M3	19577	7B	1	Pellet Probe .22	19511	8	1	Reloading Rod Guide
19177	9	1	Trigger Sear v7,8,12	19578	7C	1	Pellet Probe .25	12045	9	3	O-ring BK96.6
19528	10	1	Triggerbase	19494	7D	1	Pellet Probe .30	19541	10	1	Short Bushing For Reloading Rod
11525	11	1	Trigger Wheel	19576	8	1	Pellet Probe Base	19526	11	1	Trigger Plate
2500	12	4	Grub Screw	19491	9	1	Cylindrical Pin	5201	12	4	Socket Head Cap Screw
2504	13	1	Countersunk Screw	19490	10	1	Cylindrical Pin	15008	13	1	Trigger Guard HW98
5204	14	1	Spring 0,5 x 3 x 15	19501	11	1	Aligner	19547	14	1	Stock Attachment M5-M4
19585	15	2	Cylindrical Pin 1,5m6x6	19531	12	1	Cheek Piece	19213	15	1	Cylindrical Pin
E - Cocking Lever				19060	13	1	Valve Seat SHP Complete	G2 - Main Block			
Product ID	Item	QTY	Part Name	7052	14	1	Valve Pin SHP Complete	Product ID	Item	QTY	Part Name
11060	1	1	Socket Head Cap Screw	2525	15	1	Spring 0,6 x 4 x 15*	19599	1	1	Main Block
19529	2	1	Side Lever	4528	16	1	O-ring BK69	11502	2	4	Cylindrical Pin
19034	3	1	Screw M3 Special	19508	17	1	Valvehousing	19742	3	1	Grub Screw
19021	4	1	Side Lever Linkage	11507	18	1	Rubber/Steel Washer BKMESS	5005	4	1	Plastic Washer 2mm 1/8"
19611	5	1	Side Lever Handle	19486	19	1	O-ring BK74.6	19548	5	1	Brass Plug G1/8"
19507	6	1	Slide mount Reloading	19550	20	1	Valve Bushing 5,4mm	19571	6	1	Index Lever
2637	7	2	Grub Screw	19505	21	1	Connector M12 x 1	2520	7	1	Spring 0,5 x 4 x 7
19026	8	2	Cylindrical Pin	19515	22	1	Stock Mount	19549	8	1	Indexing M3 Screw
* - 10J / 12FP				19510	23	1	Plug M7	19572	9	1	Side Plate
Product ID	Item	QTY	Part Name	19499	24	1	Rubber/Steel Washer BKISS	2504	10	2	Countersunk Screw
16024	G1-3	1	Hammerspring v3,v4	11060	25	2	Socket Head Cap Screw	<div style="background-color: #008080; color: white; padding: 5px; text-align: center;">           Spare parts available at:  <b><a href="http://spares.bagnallandkirkwood.co.uk" style="color: blue;">spares.bagnallandkirkwood.co.uk</a></b>  <small>For spare parts not listed please contact us using the reference codes above</small> </div>			
19580	G1-15	1	Spring 0,75 x 4 x 20	19483	26	1	Countersunk Screw				
				19086	27	1	Conical Grub Screw				
				16100	28	1	Magnet 3x5				
				19185	29	1	Steel Ball BB-ENO				
				2505	30	2	Countersunk Screw				
				19579	31	1	Pelletprobe Screw				
				5111	32	1	O-ring BK14				
				19586	33	1	Spring Aligner				