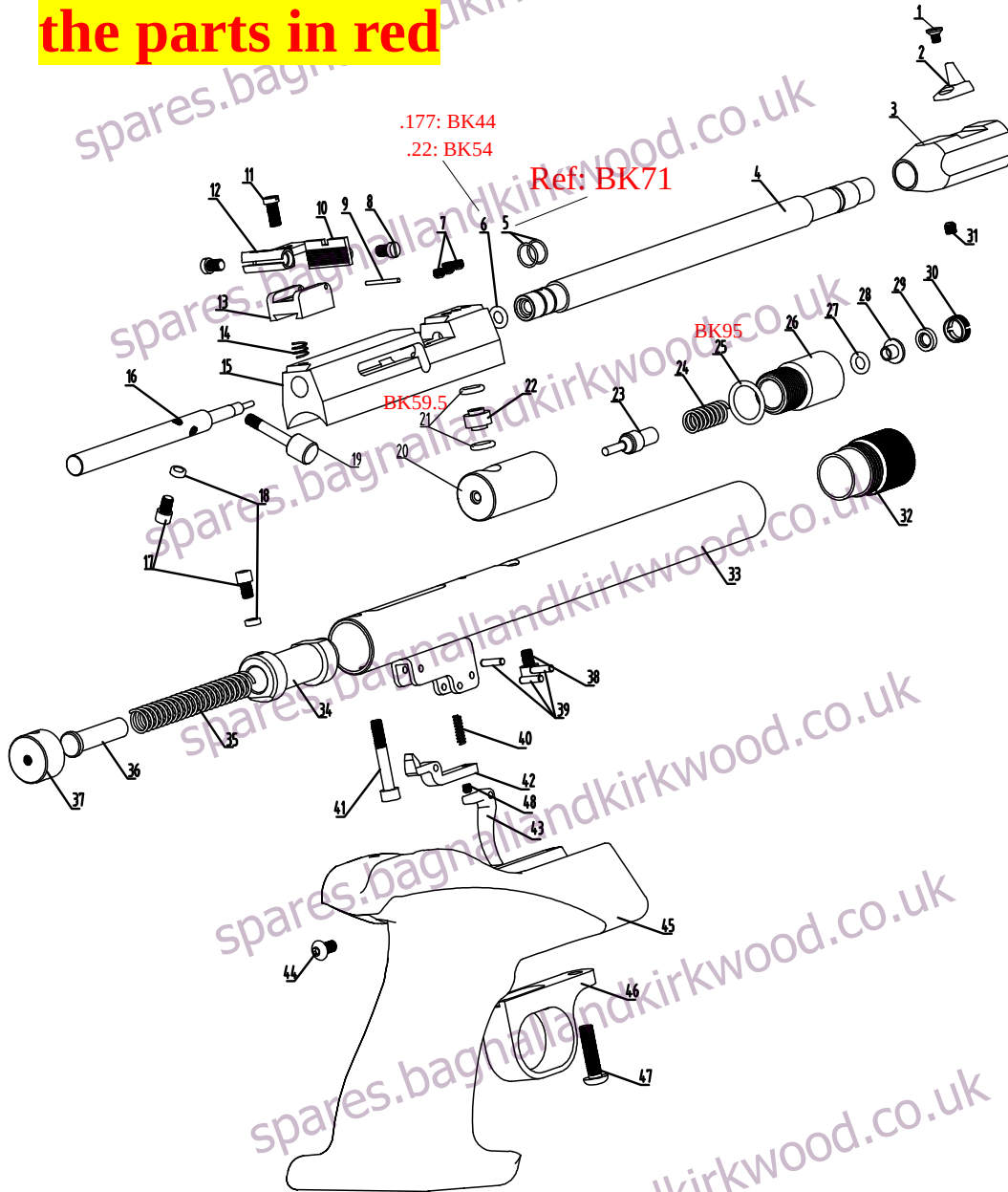


CP1 Exploded Diagram

Sorry – we can only obtain the parts in red



NO.	零件名称	Part Name	Qty.
1	准星螺钉	Front Sight Screw	1
2	准星	Front Sight	1
3	准星座	Front Sight Base	1
4	枪管	Barrel	1
5	枪管O型圈	Barrel O-Ring Ref: BK71	2
6	项座O型圈	Breech O-Ring 22: BK54	1
6	项座O型圈	Breech O-Ring 77: BK44	
7	枪管固定螺钉	Barrel Fixing Screw	2
8	左右调节螺钉	Windage Knob Screw	2
9	照门座销	Rear Sight Base Pin	1
10	照门	Rear Sight	1
11	高低调节螺钉	Elevation Knob Screw	1
12	照门座	Rear Sight Base	1
13	照门座底	Rear Sight Bottom	1
14	照门座簧	Rear Sight Base Spring	1
15	项座	Breech	1
16	拉杆	Bolt	1
17	拉杆螺钉	Bolt Screw	2
18	衬套	Bolt Screw Bushing	2
19	手把	Bolt Handle	1
20	阀体2	Valve Body B	1
21	接头O型圈	Connector O-Ring BK59.5	2
22	接头	Connector	1
23	出气阀芯	Exhaust Valve Core	1
24	阀体簧	Valve Body Spring	1
25	阀体O型圈	Valve Body O-Ring BK95	1
26	阀体1	Valve Body A	1
27	卡圈	Retainer O-Ring	1
28	刺针	Puncture Pin	1
29	刺针皮碗	Puncture Pin Seal	1
30	刺针螺母	Puncture Pin Holder	1
31	保险螺丝	Safety Screw	2
32	滤网套	Filter Cap	1
33	气筒组件	Main Tube Assembly	1
34	活塞	Piston	1
35	活塞簧	Piston Spring	1
36	导管	Spring Guide	1
37	后盖	Piston Cover	1
38	结合螺丝	Valve Body A Screw	1
39	扳机销	Trigger Pin	3
40	扳机簧	Trigger Spring	1
41	项座与气筒结合螺钉	Breech Tube Mount Screw	1
42	阻铁	Sear	1
43	扳机	Trigger	1
44	后盖螺钉	Piston Cover Screw	1
45	手柄	Wood Grip	1
46	护圈	Trigger Guard	1
47	阀体固定螺钉	Valve Body B Screw	1
48	扳机调节螺钉	Trigger Adjustment Screw	1