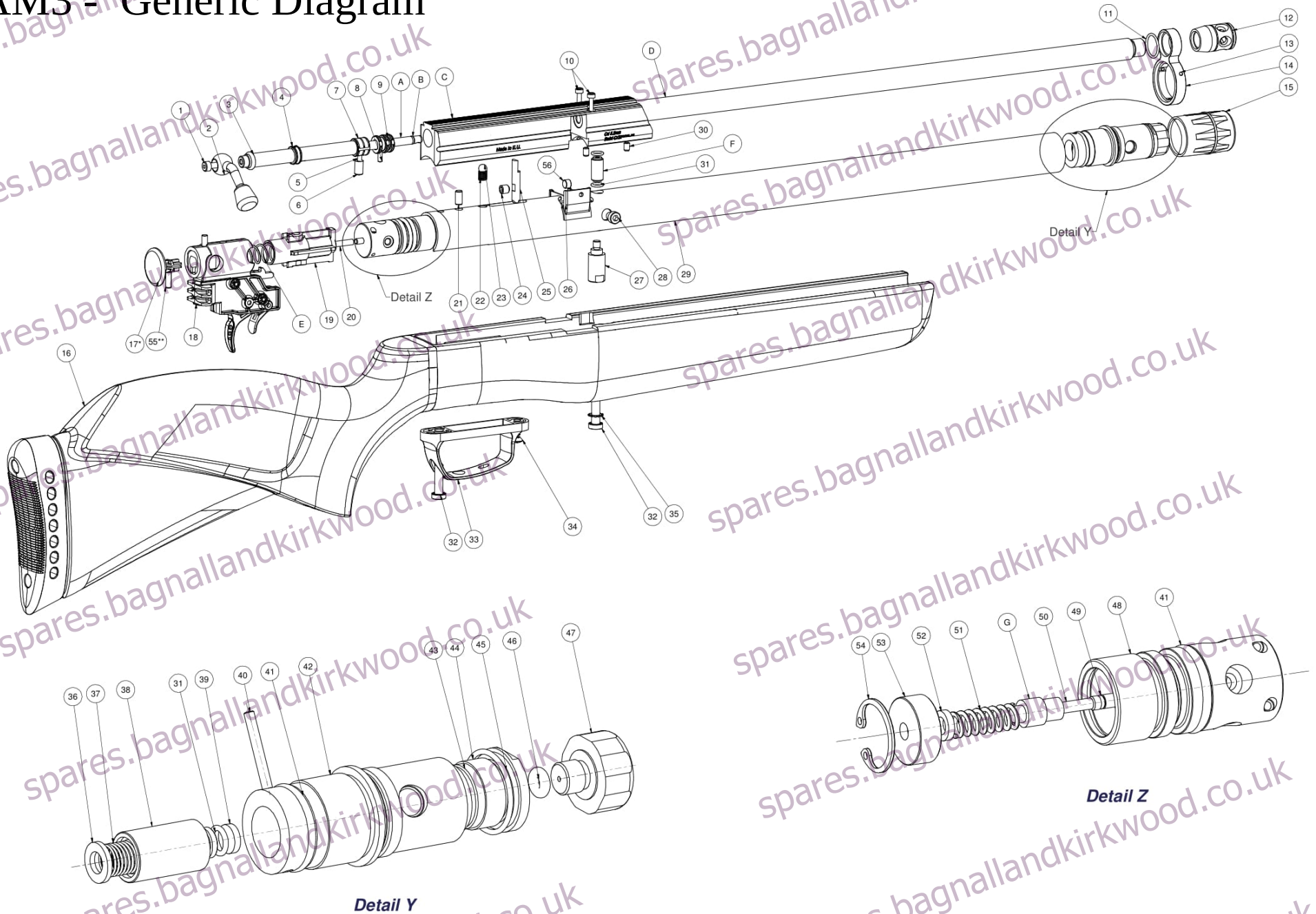


# GAM3 - Generic Diagram



| PARTS LIST |     |             |                            | PARTS LIST |     |             |                               | PARTS LIST |         |          |         |  |         |         |
|------------|-----|-------------|----------------------------|------------|-----|-------------|-------------------------------|------------|---------|----------|---------|--|---------|---------|
| ITEM       | QTY | PART NUMBER | DESCRIPTION                | ITEM       | QTY | PART NUMBER | DESCRIPTION                   | ITEM       | QTY     | Cal .177 | Cal .22 | DESCRIPTION                            |         |         |
| 1          | 1   | 16-9125     | Bolt handle fixing bolt    | 31         | 3   | BK58.5      | O-Ring                        | A          | 1       | 16-9044  | 16-9045 | Pellet probe                           |         |         |
| 2          | 1   | 16-9355     | Bolt handle                | 32         | 2   | 36240       | Screw M6x22 DIN7985 TORX      |            |         |          |         |  |         |         |
| 3          | 1   | BK65.6      | O-Ring probe seal          | 33         | 1   | 39390       | Trigger guard                 |            |         |          |         |  |         |         |
| 4          | 2   | 16-9025     | Pellet probe bearing       | 34         | 1   | 29300       | Screw ø4,2x13 DIN7983         |            |         |          |         |  |         |         |
| 5          | 1   | 16-6729     | Cocking pin bolt           | 35         | 1   | 16-9245     | Stock screw washer DIN 6789A  |            |         |          |         |  |         |         |
| 6          | 1   | 16-6724     | Cocking pin                | 36         | 1   | 16-9128     | Quickfill bush washer         |            |         |          |         |  |         |         |
| 7          | 1   | 16-9019     | Pellet probe bearing front | 37         | 1   | 16-9037     | Inlet valve spring            |            |         |          |         |  |         |         |
| 8          | 1   | 16-9047     | Retaining pin              | 38         | 1   | 16-9035     | Quickfill bush                | Power/ca   | 2J      | 7.5/10J  | 16J     | 20J                                    | 24J     | FAC     |
| 9          | 1   | 16-9018     | Pellet probe filler piece  | 39         | 1   | 16-9036     | Air filter                    | 0.177      | 16-6605 | 16-6910  | 16-6605 | 16-6605                                | 16-6605 | 16-6605 |
| 10         | 2   | 16-9049     | Breech bolt                | 40         | 1   | 16-9038     | Quickfill bush retaining pin  | 0.22       |         | 16-6910  | 16-6605 | 16-6605                                | 16-6605 | 16-6605 |
| 11         | 1   | BK104       | O-Ring                     | 41         | 2   | BK115       | O-Ring main cylinder          |            |         |          |         |  |         |         |
| 12         | 1   | 16-9354     | Muzzle weight anodising    | 42         | 1   | 16-9034     | Quickfill body                |            |         |          |         |  |         |         |
| 13         | 3   | 16-9123     | Barrel steady fixing screw | 43         | 1   | BK105.8     | O-Ring gauge                  | Power/ca   | 2J      | 7.5/10J  | 16J     | 20J                                    | 24J     | FAC     |
| 14         | 1   | 16-9039     | Barrel steady              | 44         | 1   | 16-9040     | Pressure gauge adaptor        | 0.177      | 16-9276 | 16-9147  | 16-9214 | 16-9214                                | 16-9126 | 16-9101 |
| 15         | 1   | 16-9017     | Quick gauge cover          | 45         | 1   | 16-9114     | Quickfill cover retaining pin | 0.22       | -       | 16-9147  | 16-9100 | 16-9100                                | 16-9124 | 16-9101 |
| 16         | 1   | 38912       | Coyote stock               | 46         | 1   | BK29.5      | O-Ring                        |            |         |          |         |  |         |         |
| 17*        | 1   | 16-9016     | Cylinder end cap           | 47         | 1   | 16-9367     | Pressure gauge assembly       |            |         |          |         |  |         |         |
| 18         | 1   | 16-9352     | Coyote trigger assembly    | 48         | 1   | 16-9027     | Valve housing                 | Power/ca   | 2J      | 7.5/10J  | 16J     | 20J                                    | 24J     | FAC     |
| 19         | 1   | 16-9020     | Hammer bearing             | 49         | 1   | BK10        | O-Ring knockoff stem          | 0.177      | 16-9029 | 16-9145  | 16-9145 | 16-9029                                | 16-9029 | 16-9029 |
| 20         | 1   | 16-9107     | Hammer weight              | 50         | 1   | 16-9030     | Knock off valve pin           | 0.22       | -       | 16-9145  | 16-9145 | 16-9029                                | 16-9029 | 16-9029 |
| 21         | 1   | 16-9113     | Trigger assy. location pin | 51         | 1   | 16-6092     | Valve stem spring             |            |         |          |         |  |         |         |
| 22         | 1   | 16-6789     | Ball retainer spring       | 52         | 1   | 16-6584     | Knock off valve spring washer |            |         |          |         | Filling Probe O Ring: Part Number BK41 |         |         |
| 23         | 1   | 16-6013     | Steel bolt indent ball 6mm | 53         | 1   | 16-9028     | Valve housing cap             |            |         |          |         |  |         |         |
| 24         | 1   | 16-6542     | Hammer grub screw M6x6     | 54         | 1   | 16-9031     | Valve housing cap circlip     |            |         |          |         |  |         |         |
| 25         | 1   | 16-9106     | Hammer latch pin           | 55**       | 1   | 16-9415     | Anti tamper pin               |            |         |          |         |  |         |         |
| 26         | 1   | 16-9015     | Mag slot filler            | 56         | 1   | 16-9046     | Magnet                        |            |         |          |         |  |         |         |
| 27         | 1   | 16-9119     | Stock location pin         | B          | 1   | BK11        | O-Ring breech .177            |            |         |          |         |  |         |         |
| 28         | 2   | 16-9043     | M5x6 Socket cap plain head | B          | 1   | BK27        | O-Ring breech .22             |            |         |          |         |  |         |         |
| 29         | 1   | 16-9041     | Cylinder tube rifle        | B          | 1   | BK22        | O-Ring breech .25             |            |         |          |         |  |         |         |
| 30         | 2   | 16-6357     | M4x6 Grubscrew             |            |     |             |                               |            |         |          |         |  |         |         |

\* (Spare not available for UK market)  
 \*\* (Spare available only for UK market)

spares.bagnallandkirkwood.co.uk