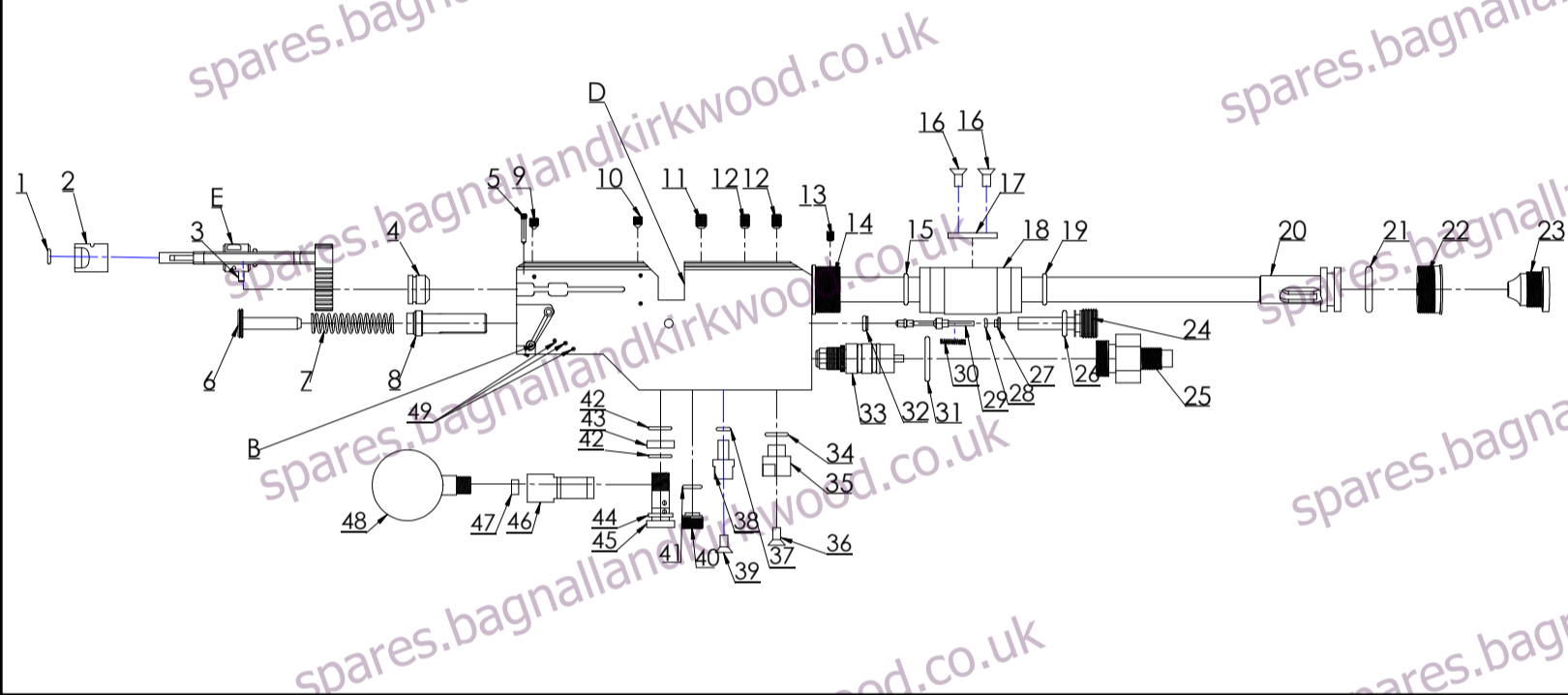


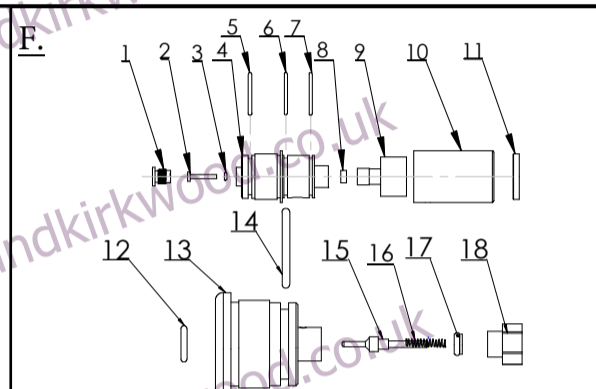


A.

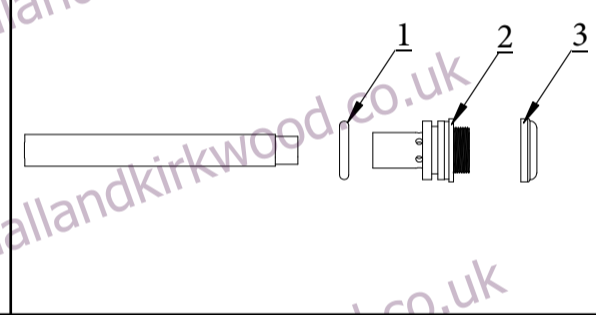
*Shrouds and barrels are at the bottom of the list



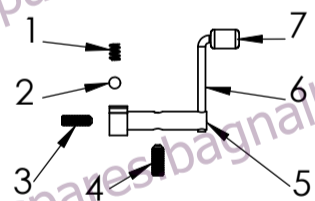
F.



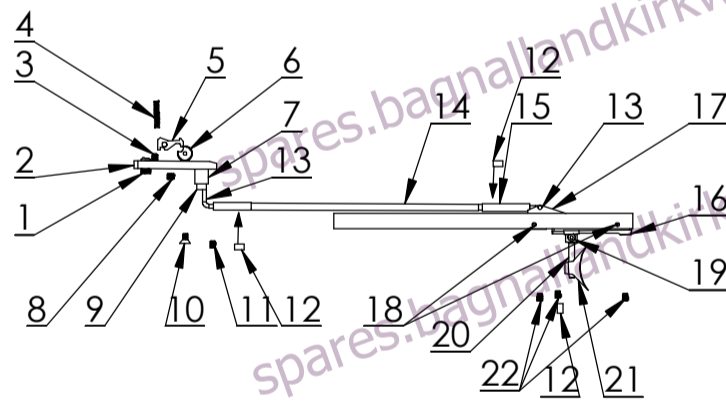
Shroud version 2.



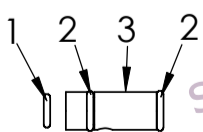
B.



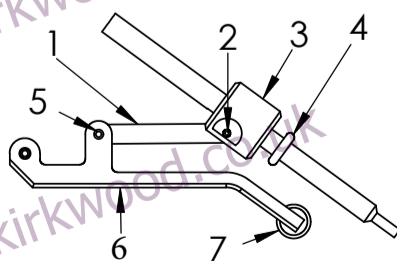
C.



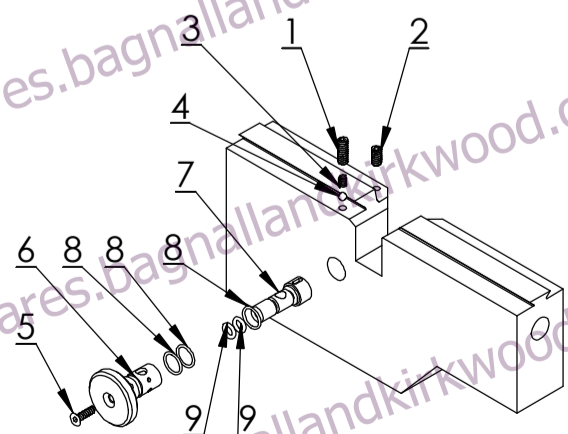
D.



E.



H.



Spare parts available at:
spares.bagnallandkirkwood.co.uk

For spare parts not listed please contact us using the reference codes above

Location	Article number	Description	Location	Article number	Description
1	19138	Cheekpiece	A29	7015	Valvepin Complete
2	19317	Rail bobcat 5 hole	A29	7019	Shp Valvepin Complete
3	19320	Bobcat stock	A29		.30 Valvepin Complete
4	19131	Aloytube 160mm extension	A30	2525	Spring
5	19308	Tube 40mm for bobcat	A31	19056	Connector M20x1 v7
6	16051	Recoilpad	A32	7044	Complete Valveseat
A1	BK51	O-ring	A32	19060	Complete SHP Valveseat
A2	19029	Pelletprobeguide rear	A32	19217	Complete .30 Valveseat
A3	11509	CPK	A33	19043	Regulator
A4 - 4,5	19013	Black plastic bushing 4,5	A33 - reg	19304	Gauge mount Regulator
A4 - 5,5	19012	Black plastic bushing 5,5	A34	BK81.7	O-ring
A4 - 6,35	19101	Black plastic bushing 6,35	A35	19121	Stock attachment M6
A4 - 7,62	19211	Black plastic bushing 7,62	A36	5203	Coutnersink
A5	19031	M3 special screw v7	A37	BK51	O-ring
A6	11541	Hammerspring adjuster HP	A38	19302	Attachment
A6	11030	Hammerspring adjuster	A39	5203	Coutnersink
A7	11500	Hammerspring	A40	19330	Plug
A8 - 6,35-5,5	11540	Hammer weight v7	A41	BK69	O-ring
A8 - 7,62	17003	Hammer weight v4	A42	BK81.7	O-ring
A8	19039	Hammer v7	A43	19343	sealing washer Bobcat
A9	5203	Countersunk screw	A44	BKD8	Rubbersteel washer
A10	2534	Grubscrew	A45	19052	Banjobolt bc
A11	19086	Grubscrew	A46	19051	Banjo 1/8"
A11 - 7,62	19224	Grubscrew	A47	5003	Plastic washer 4mm
A12	2503	Grubscrew	A48	19347	Manometer Bc 250Bar
A12 - 7,62	19086	Grubscrew	A49	19040	Cpk 2m6x24
A13	11501	Grub Screw			
A14	19314	Shroud mount rear bullpup			
A15	BK97.2	O-ring			
A16	19025	Countersink	B1	11503	Spring
A17	19014	Reilmounts v7	B2	11527	Steelball 3,175
A18	19136	Barrelsupport	B3	11633	Grubscrew
A19	BK97.2	O-ring	B4	11508	Grubscrew
A20	19028	Compensator	B5	11027	Safety axis
A21	19098	O-ring	B6	11625	Safety pin
A22	18010	Muzzle thread insert	B7	11200	Safety knob
A23 - 4,5	17023	Muzzle 4,5	C1	11062	Trigger adjuster
A23 - 5,5	17000	Muzzle 5,5	C2	11524	Trigger base
A23 - 6,35	19112	Muzzle 6,35	C3	2500	Grubscrew
A23 - 7,62	19212	Muzzle 7,62	C4	11504-2	Spring
		Shroud version 2.	C5	11031	Trigger sear
1	19098	O-ring	C6	11525	Trigger roll
2 - 4,5 5,5	19122	Muzzle mkII	C7	11525	Triggerblock reciever side
2 - 6,35	19122	Muzzle mkII 6,35	C8	16092	Grubscrew
2 - 7,62	19122	Muzzle mkII 7,62	C9		Screw
3	19128	Thread protection	C10	19025	Countersink
A24	19009	Valve supporter M16	C11	2500	Grubscrew
A25	19056	Connector M20x1 v7	C12	16100	Magnet
A26	BK78	O-ring	C13	19305	Ballpin
A27	19038	Spring seat v7	C14	19312	Triggerextensin rod M3
A28	BK14	O-ring	C15	19307	Trigger adjustment m3

Spare parts available at:
spares.bagnallandkirkwood.co.uk

For spare parts not listed please contact us using the reference codes above

Spare parts available at:

spares.bagnallandkirkwood.co.uk

For spare parts not listed please contact us using the reference codes above

C16	19167	Match trigger base	H1		
C17	19303	Trigger connection	H2	12033	Stop screw with tip
C18	19040	CPK 2m6x24	H3		
C19			H4	4066	Steelball
C20	19137	Trigger shoe pin	H5	2508	FS 3x10
C21	19136	Adjustable Trigger shoe	H6	16083	Outer Speed knob v7
C22	16092	Grubscrew	H7	16082	Inner speed knob v8
D1 - 4,5	BK38	O-ring	H8	BK71.5	O-ring
D1 - 5,5	BK52	O-ring	H9	BK33	O-ring
D1 - 6,35	BK61	O-ring			Tubes
D1 - 7,62	BK65.7	O-ring	4,5-5,5	7071	Tube 40x391
D2	BK51	O-ring	6,35-7,62	19339	Tube 40x571
D2-7,62	BK87.7	O-ring			Barrels
D3 - 4,5	2057	Barrel inlet .20	4,5	12030	Barrel .177 14 - 485mm
D3 - 5,5	2056	Barrel inlet .22	5,5	12006	Barrel .22 14 - 485mm
D3 - 6,35	19104	Barrel inlet .25	6,35	19106	Barrel .25 14 - 600mm
D3 - 7,62	19207	Barrel inlet .30	7,62	19206	Barrel .30 14 - 600mm
E1	19021	Sidelever linkage v7			Shrouds Sweden
E2	19042	CPK 2m6x8	4,5 & 5,5	19099	345mm Shroud
E3 - 4,5	19011	Pelletprobe 4,5 v7	6,35	19142	449mm Shroud
E3 - 5,5	19010	Pelletprobe 5,5 v7			Shrouds export
E3 - 6,35	19192	Pelletprobe 6,35 v7	4,5 & 5,5	19129	247mm Shroud
E3 - 7,62	19200	Pelletprobe 7,62	6,35 & 7,62	193285	365mm Shroud
E4 - 4,5	BK34	O-ring			
E4 - 5,5	BK50	O-ring			
E4 - 6,35	BK59.5	O-ring			
E4 - 7,62	BK65.8	O-ring			
E5	19026	CPK 2,5M6x6			
E6	19020	Sidelever v7			
E7	19037	Sidelever handle			
F1	19035	Plugg 1/8" v7			
F2	19329	Back valve "gold"			
F3	BK14	O-ring			
F4	19309	Tube end mano 40mm			
F5	BK137Z	O-ring			
F6	BK136.2	O-ring			
F7	BK136.2	O-ring			
F8	5005	Plastic washer			
F9	11505	Manometer 25mm			
F10	19344	Dustcover 40mm			
F11	19382	Delrin bushing dust cover			
F12	BK78	O-ring			
F13	19335	Tube end 40mm			
F14	BK137Z	O-ring			
F15	7035	Valvepin complete v2			
F16	2525	Spring			
F17	7044	Valveseat complete			
F18	11013				

Spare parts available at:

spares.bagnallandkirkwood.co.uk

For spare parts not listed please contact us using the reference codes above